



2015 plasma torches and consumables





Centricut

	Product line	System/Torch
1	CENTRICUT® SE200®	MAX200®
2	CENTRICUT SE2000®	HT2000®
3	AMADA® IC200®	IC200
4	ESAB® PT-31/PT-31XL	PCM®-VPi, PCM-SMi, PCM-500i, PCM-625i, PCM-50A, PCM-875 and PCM-1125
5	ESAB PT-20AM®	PCM-100, PCM-875, PCM-1125 and ESP®-100i
6	ESAB PT-24	Precision Plasmarc®
7	ESAB PT-15/PT-15XL Nitrogen	PCM-8, ESP-300, ESP-400, ESP-600 and ESP-1000
8	ESAB PT-15XL Oxygen	PCM-8, ESP-300, ESP-400, ESP-600 and ESP-1000
9	ESAB PT-15/PT-15XL Nozzle components	PCM-8, ESP-300, ESP-400, ESP-600 and ESP-1000
10	ESAB PT-19XL	ESP-200/300/400/600C/1000, PCM-150/1500/8XL
11	ESAB PT-19XL+S	ESP-200/300/400/600C/1000, PCM-150/1500/8XL
12	ESAB PT-19XLS	ESP-200/300/400/600C/1000, PCM-150/1500/8XL
14	ESAB PT-600	ESP-200/300/400/600C/1000, PCM-150/1500/8XL
18	NEW! ESAB PT-600 and PT-19XLS heavy duty	ESP-200/300/400/600c/1000, PCM-150/1500/8XL
22	XP3 for ESAB PT-600 and PT-19XLS	ESP-200/300/400/600c/1000, PCM-150/1500/8XL
26	ESAB PT-36 (m³ system)	ESP-200/300/400/600C/1000, EPP-200, 360
28	KALIBURN® FineLine™200	FineLine200PC and 150PC
29	KALIBURN SR-45i®	SR-45i
30	KALIBURN SR-45i Retrofit	SR-45i
34	NEW! KALIBURN Spirit® and ProLine®	Spirit 150a, 200a, 275a, 400a , ProLine 2150, 2200, 2260
36	KJELLBERG® HiFocus 100®	PerCut 101®
37	KJELLBERG HiFocus 130/160i	PerCut 160/170
39	NEW! KJELLBERG HiFocus 130/160i/161i	PerCut 210M
42	KJELLBERG HiFocus 280i/360i/440i	PerCut 370.1
43	KJELLBERG HiFocus 280i/360i/440i	PerCut 370.2
45	NEW! KJELLBERG HiFocus 280i/360i/440i	PerCut 450M
47	KJELLBERG FineFocus 800® Plus	PB-S80
48	KJELLBERG FineFocus 800, 900, PA-S70, PA-S75	PB-S70/75/77
49	KOIKE® Super-400 Plus	Super-400 Plus
50	KOMATSU® Razor® 40 amp	Razor 40 amp
51	KOMATSU Razor 90/120 amp	Razor 90/120 amp
52	KOMATSU Razor 300 amp	Razor 300 amp
53	THERMAL DYNAMICS PCH/M-51	PAK® 3XR™, 5XR™, 5XT™,6XR™, 625XR™, 750XR™, Dynapak 4Xi, 6Xi
54	THERMAL DYNAMICS PCH/M-52	PAK 5XR™, 6XR™, 7XR™, 8XR™, 10XR™, 625XR™, 750XR™, 1000XR™, 1250XR™
55	THERMAL DYNAMICS PCH/M-4B, 4BT	PAK 22, 10, 5
56	THERMAL DYNAMICS PCH/M-150	PAK 15XC, MERLIN®
57	THERMAL DYNAMICS Maximizer 300	MERLIN 3000, 6000, 6000GST
58	WHITNEY® OW250®	OW250
59	WHITNEY IC300®	IC300

Technology enhancements

Hypertherm® technology and quality drive superior performance of Centricut® consumables. Cut with confidence, it's Hypertherm.



SilverLine® electrode technology

- Slows wear
- Maximizes usage
- Extends electrode life

Through the use of solid state welding technology and optimized coolant flow, SilverLine technology slows the wear of hafnium, the material which produces the plasma arc, by more efficiently removing heat from the electrode. By maximizing the silver-hafnium interface and optimizing the geometry of the silver, Centricut SilverLine electrodes can be used 25 to 300% longer than other silver-copper and all-copper electrodes.

CoolFlow™ nozzle technology

- Maintains orifice shape and size
- Reduces torch leaking
- Extends nozzle life and improves cut quality

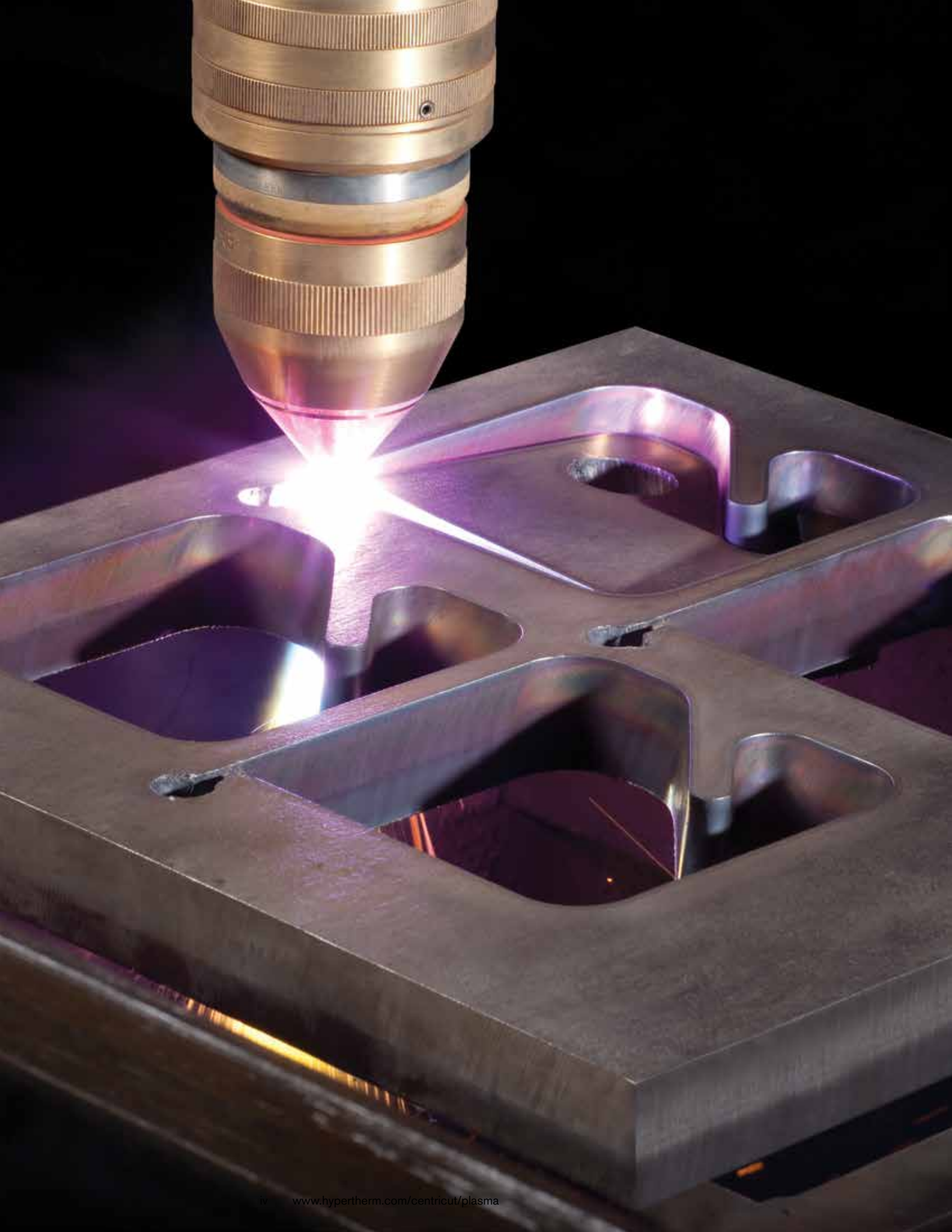
Every plasma operator will tell you that the most common nozzle failure is when the orifice goes out of round. Maintaining nozzle orifice shape and size directly impacts nozzle life and cut quality. CoolFlow technology utilizes improved cooling features and optimizes gas flows to preserve orifice size and shape longer than any other nozzle available. O-ring placement on CoolFlow nozzles reduces torch leaking which can cause consumable and torch failure.



Backed by Hypertherm technology, product quality and world-class customer support, Centricut plasma consumables deliver reliability to your process at a lower cost.

Centricut technology advantage

OEM	Torch	Systems	Technology	Advantage	
ESAB®	PT-36, PT-36R	M3, EPP, ESP	SilverLine® electrode	Up to 2 times life	
			CoolFlow™ nozzle	Up to 2 times life	
	PT-24	Precision Plasmarc	SilverLine® electrode	Up to 2 times life	
	PT-15XL	PCM and ESP	SilverLine® electrode	Up to 2 times life	
	PT-19XL	PCM and ESP	SilverLine® electrode	Up to 2 times life of XL	
	PT-19XLS	PCM and ESP	SilverLine® electrode	Up to 2 times life of XL	
	PT-600	PCM and ESP	SilverLine® electrode	Up to 2 times life of XL	
	Heavy duty for PT-600 and PT-19XLS	PCM and ESP	SilverLine® electrode	Up to 30% longer life	
	XP3 for PT-600 and PT-19XLS		PCM and ESP	CoolFlow™ nozzle	Compared to UL
				SilverLine® electrode	Up to 2 times life
Kaliburn®	FineLine 200	FineLine 150PC, 200PC	SilverLine® electrode	Up to 2 times life	
			CoolFlow™ nozzle	Improved cut quality	
	ProLine	ProLine 2150, 2200, 2260	SilverLine® electrode	Up to 2 times life	
			CoolFlow™ nozzle	Improved cut quality	
Spirit	Spirit 150a, 200a, 275a, 400a	SilverLine® electrode	Up to 3 times life		
		CoolFlow™ nozzle	Improved cut quality		
Kjellberg®	PB-S70/75/77	PA-S70,S75, FineFocus 800,900	SilverLine® electrode	Price & quality	
			CoolFlow™ nozzle	Price & quality	
	PerCut 101	HiFocus 100	SilverLine® electrode	Price & quality	
	PerCut 160/170	HiFocus 130/160i	SilverLine® electrode	Price & quality	
	PB-S80	FineFocus 800 Plus	SilverLine® electrode	25% longer life	
			CoolFlow™ nozzle	25% longer life	
	PerCut 370.1	HiFocus 280i/360i/440i	SilverLine® electrode	Price & quality	
	PerCut 370.2	HiFocus 280i/360i/440i	SilverLine® electrode	25% longer life	
	PerCut 450M	HiFocus 280i/360i/440i	CoolFlow™ nozzle	25% longer life	
SilverLine® electrode			Price & quality		
			CoolFlow™ nozzle	Price & quality	
			SilverLine® electrode	Up to 1.5 times life	
Koike®	Super-400 Plus	Super-400 Plus	SilverLine® electrode	Up to 1.5 times life	
	Razor 40	Razor 40	CoolFlow™ nozzle	40% life Increase	
			SilverLine® electrode	Up to 2 times life	
	Razor 90/120	Razor 90/120	CoolFlow™ nozzle	Up to 2 times life	
Razor 300	Razor 300	CoolFlow™ nozzle	Up to 2 times life		
		SilverLine® electrode	Up to 2 times life		



System: MAX200®

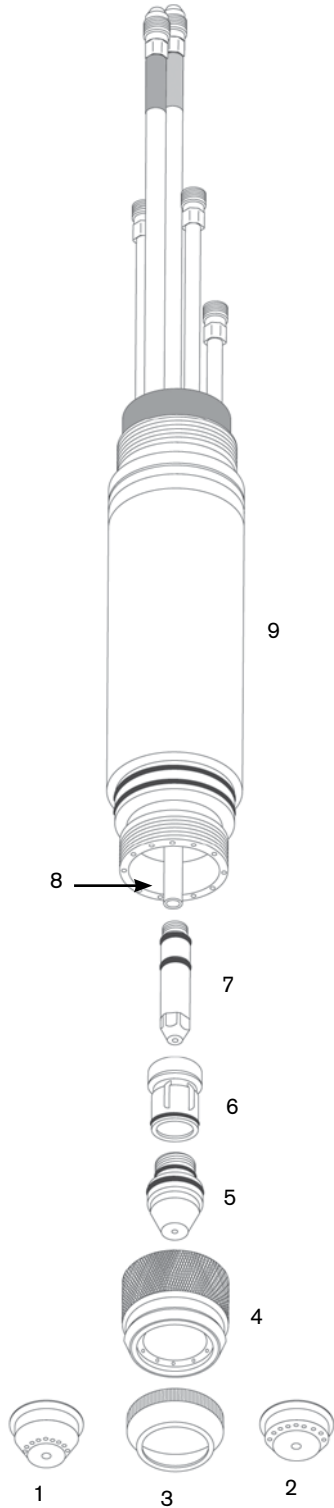
Consumables

	Centricut part number	Reference number	Description	Pkg qty
1	C61-280	N/A	Shield, ported, dry/underwater*, 200 amp	1
2	C61-281	N/A	Shield, ported, dry/underwater*, 100 amp	1
	C61-264	N/A	Shield ring, 1 piece, 40 amp	1
3	C61-270	N/A	Retaining ring, heavy duty	1
4	C92-230	N/A	Retaining cap	1
	C61-273	N/A	Retaining ring, HD with IHS tab	1
5	C61-207	N/A	Nozzle, Air/ N ₂ /ArH ₂ , 200 amp	1
	C61-263	N/A	Nozzle, Air, 40 amp	1
	C61-300	N/A	Nozzle, O ₂ , 100 amp	1
	C61-232	N/A	Nozzle, Air, 100 amp	1
	C61-288	N/A	Nozzle, O ₂ , 200 amp	1
6	C61-227	N/A	Gas guide, Air/ N ₂ /ArH ₂	1
	C61-304	N/A	Gas guide, O ₂ , 100 amp	1
	C61-289	N/A	Gas guide, O ₂ , 200 amp	1
	C61-295	N/A	Gas guide, Air/ N ₂ /ArH ₂ / CCW	1
7	C61-265	N/A	Electrode, SuperPierce, Air	1
	C61-241	N/A	Electrode, N ₂ , ArH ₂	1
	C61-287	N/A	Electrode, O ₂ , 200 amp	1

*Use with C61-270

Maintenance items

	Centricut part number	Reference number	Description	Pkg qty
	C61-253	N/A	Gas guide cleaning tool	1
8	C92-228	N/A	Water tube	1
	C92-229	N/A	Water tube wrench	1
	C61-099	N/A	Wrench – electrode/nozzle	1
9	C61-213	N/A	Torch body, with water tube and wrench	1
	C66-023	N/A	Torch body o-ring	5
	C27-134	N/A	Gas guide o-ring	5
	027055	N/A	Lubricant .25 oz. (7 ml) tube	1



System: HT2000®

Consumables

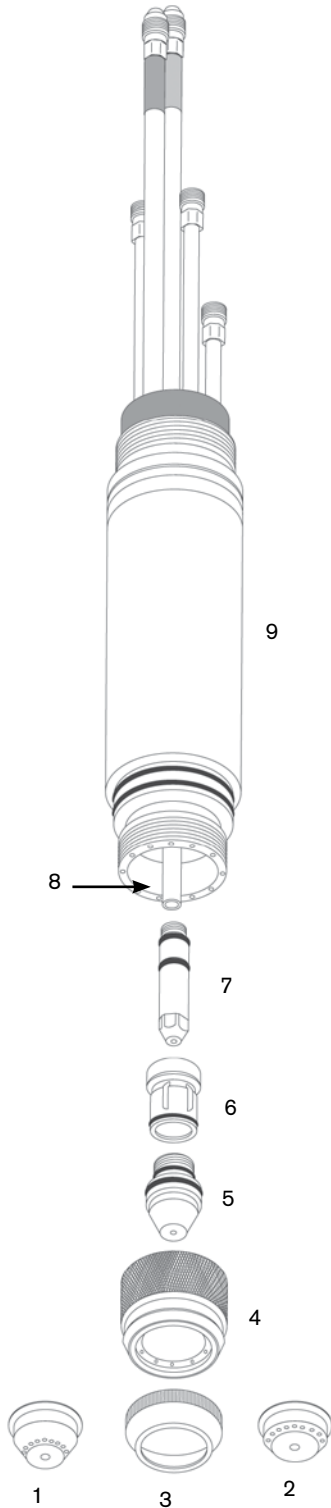
	Centricut part number	Reference number	Description	Pkg qty
1	C61-280	N/A	Shield, ported, dry/underwater*, 200 amp	1
2	C61-281	N/A	Shield, ported, dry/underwater*, 100 amp	1
	C61-264	N/A	Shield ring, 1 piece, 40 amp	1
3	C61-270	N/A	Retaining ring, heavy duty	1
4	C92-230	N/A	Retaining cap	1
	C61-273	N/A	Retaining ring, HD with IHS tab	1
5	C61-207	N/A	Nozzle, Air/N ₂ /ArH ₂ , 200 amp	1
	C61-263	N/A	Nozzle, Air, 40 amp	1
	C61-300	N/A	Nozzle, O ₂ , 100 amp	1
	C61-232	N/A	Nozzle, Air, 100 amp	1
	C61-288	N/A	Nozzle, O ₂ , 200 amp	1
6	C61-227	N/A	Gas guide, Air/N ₂ /ArH ₂	1
	C61-301	N/A	Gas guide, O ₂ , 100 amp	1
	C61-298	N/A	Gas guide, O ₂ , 200 amp	1
	C61-295	N/A <td Gas guide, Air/N ₂ /ArH ₂ /CCW	1	
7	C61-265	N/A	Electrode, Air, 200 amp	1
	C61-241	N/A	Electrode, N ₂ , ArH ₂	1
	C61-287	N/A	Electrode, O ₂ , 200 amp	1

*Use with C61-270

Maintenance items

	Centricut part number	Reference number	Description	Pkg qty
8	C92-228	N/A	Water tube	1
	C92-229	N/A	Water tube wrench	1
	C61-099	N/A	Wrench - electrode/nozzle	1
9	C61-213	N/A	Torch body, with water tube and wrench	1
	C66-023	N/A	Torch body o-ring	5
	C27-134	N/A	Gas guide o-ring	5
	C61-253	N/A	Gas guide cleaning tool	1
	027055	N/A	Lubricant .25 oz. (7 ml) tube	1

*Centricut part features a unique design that differs from the OEM design.



System: IC200®

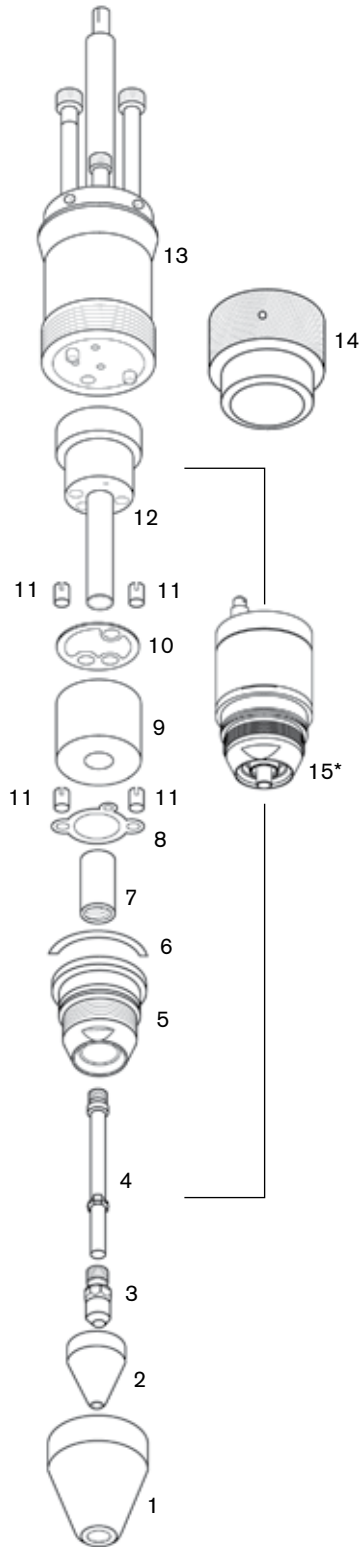
Consumables

	Centricut part number	Reference number	Description	Pkg qty
1	C14-332	74172324	Nose piece	1
2	C14-330	74172325	Nozzle, Air, .063, 150 amp	5
	C14-331-S	648-331	Nozzle, Air, .098	5
	C14-731	N/A	Nozzle, Air, .110	5
3	C14-328	N/A	Electrode, Air, 150 amp	5
	C14-927	74172326	Electrode, without o-ring, Air, 250 amp	5
	C14-327	74172326	Electrode, with o-ring, Air, 250 amp	5

Maintenance items

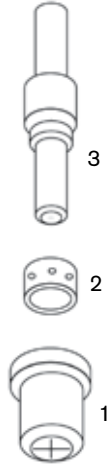
	Centricut part number	Reference number	Description	Pkg qty
5	C14-280	74172301	Nozzle holder	1
6	C14-282	74172303	Gasket spacers	2
7	C14-281	74172302	Gas guide ring	1
8	C14-286	74172307	Lower gasket	5
9	C14-959	74172308	Insulating spacer	1
10	C14-288	74172309	Cathode holder pkg, middle gasket	5
11	C14-285	74172306	Hole guides	5
12	C14-960	74172310	Manifold	1
	C14-283	74172304	O-ring seal	5
	C14-284	74172305	O-ring	5
	C14-010	N/A	O-ring	5
	C14-793	74172311	O-ring, rear manifold	4
13	C14-964	74172314	Upper body	1
	C14-866	649-966	Torch tube cover	1
14	C14-961	74172328	Head cover assembly	1
	C14-963	74172313	High frequency pin	1
	C14-962	74172312	High frequency socket	1
	C14-765	649-765	One touch torch	1
15	C14-118*	N/A	Lower torch body assembly (includes items 4-12)	1
	027055	N/A	Lubricant .25 oz. (7 ml) tube	1

*Centricut part features a unique Hypertherm design that differs from the OEM design.



System: PCM®-VPi, PCM-SMi, PCM-500i, PCM-625i, PCM-50A, PCM-875 and PCM-1125

Consumables



	Centricut part number	Reference number	Description	Pkg qty
1	C31-682	19682	Tip, XL, 30 amp	10
	C31-866	18866	Tip, 30 amp	5
	C31-079	20079	Tip, XL, 50 amp	5
	L31-820	18820	Tip, 50 amp	5
	C31-008	21008	Tip, extended, 40 amp	10
2	C31-861	20861	Tip, extended, 50 amp	10
	C31-463	20463	Swirl baffle, XL, 6 holes	1
	C31-785	18785	Swirl baffle, 4 holes	1
3	C31-683	19683	Electrode, XL	5
	C31-205	18205	Electrode	2
	C31-862	20862	Electrode, extended	10
	L31-679	19679	Seat	1
	L31-282	20282	Heat shield, XL	1

Maintenance items

	Centricut part number	Reference number	Description	Pkg qty
	L31-072	20072	PT-31XL torch body, 75°	1
	027055	N/A	Lubricant .25 oz. (7 ml) tube	1

System: PCM®-100, PCM-875, PCM-1125 and ESP®-100i

Consumables

	Centricut part number	Reference number	Description	Pkg qty
1	L39-447	21447	Heat shield, 50 amp	1
	L39-326	21326	Heat shield, 70-100 amp	1
2	C39-330*	21330	Nozzle, 50 amp	5
	C39-329*	21329	Nozzle, 70 amp	5
	C39-328*	21328	Nozzle, 100 amp	5
3	C39-150*	21150	Electrode	5
4	L39-373	21373	Insulator	1
	L39-374	21374	Baffle tube	1
5	L39-332	21332	Electrode holder assembly (includes L39-374)	1
6	C39-372	21372	Electrode seat	1

Maintenance items

	Centricut part number	Reference number	Description	Pkg qty
7	L39-359	21359	PT-20AM torch body assembly (includes L39-372 and L39-157)	1
	L39-157	488157	O-ring	1
	Q27055	N/A	Lubricant .25 oz. (7 ml) tube	1

*Centricut part features a unique Hypertherm design that differs from the OEM design.



System: Precision Plasmarc®

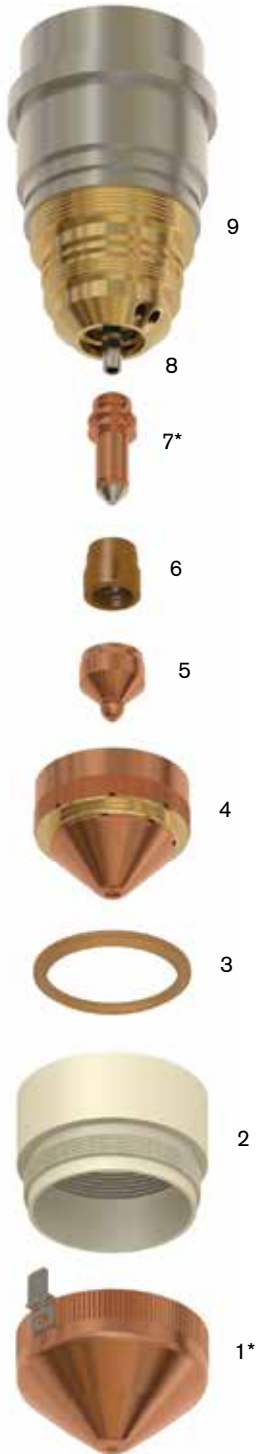
Consumables

	Centricut part number	Reference number	Description	Pkg qty
1	C70-531*	22531	Shield, one piece with IHS tab	1
	C70-931	N/A	Shield without tab	1
2	C70-712	21712	Shield retainer insulator with o-ring	1
3	C70-010	22010	Shield cup insulator	1
4	C70-007	22007	Nozzle retainer diffuser	1
5	L70-540	21540	Nozzle A, 15 amp	1
	L70-541	21541	Nozzle B, 30 amp	1
	C70-542	21542	Nozzle C, 50 amp	5
	C70-543	21543	Nozzle D, 70 amp	5
	C70-923	21923	Nozzle E, 100 amp	5
6	L70-852	21852	Swirl baffle, 15 amp	1
	L70-536	21536	Swirl baffle, 30 amp	1
	C70-692	21692	Swirl baffle, 50 -100 amp	1
7	C70-1039*	21539	SilverLine® electrode	1

Maintenance items

	Centricut part number	Reference number	Description	Pkg qty
	L70-714	950714	O-ring	1
	L70-797	638797	O-ring	5
	L70-W18	98W18	O-ring	5
	L70-W62	86W62	O-ring	1
8	L70-725	21725	Water baffle	1
9	L70-758	21758	Torch body	1
	027055	N/A	Lubricant .25 oz. (7 ml) tube	1
	L70-765	21765	Tool, electrode and nozzle	1

*Centricut part features a unique Hypertherm design that differs from the OEM design.



**Hypertherm technology –
SilverLine electrodes**

System: PCM®-8, ESP®-300, ESP-400, ESP-600 and ESP-1000

Consumables

	Centricut part number	Reference number	Description	Pkg qty
	C10-758	20758	Nozzle retaining cap, bevel, PT-15XL	1
1	C10-759	20759	Nozzle retaining cap, PT-15XL	1
	C10-230	996230	Nozzle retaining cap, PT-15	1
2	C10-691*	2075691	Nozzle assembly, N ₂ , .125, 250 amp	1
	C10-611	2075611	Nozzle assembly, N ₂ , .156, 400 amp	1
	C10-614	2075614	Nozzle assembly, N ₂ , .156, reverse swirl	1
	C10-612	2075612	Nozzle assembly, N ₂ , .200, 600 amp	1
	C10-615	2075615	Nozzle assembly, N ₂ , .200, reverse swirl	1
	C10-613	2075613	Nozzle assembly, N ₂ , .230, 750 amp	1
	C10-690	2075690	Nozzle assembly, N ₂ , .230, reverse swirl	1
	L10-587	2075587	Nozzle assembly, N ₂ , .250, 875-1000 amp	1
	C10-317	37317	Nozzle, 125 amp, PT-15XL (use with C10-142 and C10-1066)	1
	C10-318	N/A	Nozzle base, 125 amp, PT-15XL	1
	C10-319	N/A	Nozzle insulator, 125 amp, PT-15XL	1
3	C10-586	2075586	Gas baffle, ceramic, 8 x .067, 260 amp	1
	C10-142	948142	Gas baffle, ceramic, 4 hole, 100-280 amp	1
	C10-341	2075341	Gas baffle, poly, 4 hole	1
	C10-360	2075360	Gas baffle, poly, reverse swirl, 4 hole	1
	L10-918	20918	Gas baffle, 8 x .067, reverse, 260 amp	1
4	C10-236*	600236	Electrode tip, N ₂	5
6	C10-940	21940	Contact ring assembly	1

Maintenance items

	Centricut part number	Reference number	Description	Pkg qty
5	C10-343	2075343	Electrode tip holder, N ₂	1
	C10-403	20403	PA bus insulator	1
7	C10-755	20755	Insulator body with o-ring, PT-15XL	1
	C10-232	996232	Insulator body with o-ring, PT-15	1
8	C10-754	20754	Torch body, PT-15XL	1
	C10-240	996240	Torch body, PT-15	1
	C10-483	19483	Double threaded mounting tube	1
	C10-932	N/A	O-ring kit, insulator body	1
	L10-588	2075588	Insulator, high current nozzle	1
	L10-859	21859	Sleeve assembly, air curtain	1
	L10-408	20408	High frequency connector	1
	L47-110	37110	Electrode holder - removal tool	1
	027055	N/A	Lubricant .25 oz. (7 ml) tube	1

*Centricut part features a unique Hypertherm design that differs from the OEM design.



System: PCM®-8, ESP®-300, ESP-400, ESP-600 and ESP-1000

Consumables

	Centricut part number	Reference number	Description	Pkg qty
1	C10-758	20758	Nozzle retaining cap, bevel, PT-15XL	1
2	C10-759	20759	Nozzle retaining cap, PT-15XL	1
	C10-262	21962	Nozzle, 300 amp, bevel	1
	C10-063	21963	Nozzle, 300 amp, reverse bevel	1
	C10-317	37317	Nozzle, 125 amp, PT-15XL (use with C10-142 and C10-1066)	1
	C10-318	N/A	Nozzle base, 125 amp, PT-15XL	1
	C10-661	N/A	Nozzle base, O ₂ , 300 amp	1
	C10-319	N/A	Nozzle insulator, 125 amp, PT-15XL	1
3	C10-751	20751	Nozzle, O ₂ , 260 amp	1
	C10-962	35662	Nozzle, O ₂ , 300 amp	1
	C10-662	35662	Nozzle, O ₂ , 300 amp (replaceable ceramic)	1
	C10-664	35664	Nozzle, O ₂ , 340-360 amp	1
	C10-665	35665	Nozzle, O ₂ , 340-360 amp, reverse	1
	C10-920	20920	Nozzle, O ₂ , .099, 260 amp, reverse	1
4	C10-1063*	20763	SilverLine® electrode, 260 amp	1
	C47-1096*	34086	SilverLine electrode, 50-250 amp, bevel	1
5	C10-1066*	35666	SilverLine electrode, 300-360 amp	1
	C10-763*	20763	Electrode, O ₂	1
7	C10-586	2075586	Gas baffle, ceramic, 8 x .067, 260 amp	1
	L10-918	20918	Gas baffle, 8 x .067, reverse, 260 amp	1
	C10-142	948142	Gas baffle, 4 x .032, 50-200 amp	1
	L47-143	948143	Gas baffle, 4 x .032, rev, 50-200 amp	1
	C10-660	35660	Gas baffle, 8 hole, standard, 300-600 amp	1
	C122-530R	0558002530R	Gas baffle, 8 X .047, rev, 250-600 amp	1

Maintenance items

	Centricut part number	Reference number	Description	Pkg qty
6	C10-398	20398	Electrode holder, O ₂	1
	C47-084	34084	Electrode holder, bevel	1
	C10-403	20403	PA bus insulator	1
8	C10-940	21940	Contact ring assembly	1
9	C10-755	20755	Insulator body with o-ring kit	1
	C10-242	996242	Locating pin	1
10	C10-754	20754	Torch body	1
	C10-483	19483	Double threaded mounting tube	1
	C10-932	N/A	O-ring kit, insulator body	1
	L10-630	999630	Electrode holder removal tool	1
	C10-W99	86W99	O-ring, electrode holder	5
	C10-W85	86W85	O-ring, insulator body, center	5
	C10-526	996526	O-ring, insulator body, small	5
	C10-527	996527	O-ring, inside insulator body, front	5
	C10-528	996528	O-ring, outside insulator body and torch	5
	C10-106	2064106	O-ring, insulator body, rear edge, red	5
	L10-082	21082	Pilot arc bus wire	1
	L10-408	20408	High frequency connector	1
	L47-551	21551	Air curtain sleeve	1
	L47-110	37110	Electrode holder - removal tool	1
	L10-568	996568	Electrode nut driver	1
	L10-4775	34775	Power cable, 4.5 ft.	1
	027055	N/A	Lubricant .25 oz. (7 ml) tube	1

*Centricut part features a unique Hypertherm design that differs from the OEM design.



**Hypertherm technology –
SilverLine electrodes**

System: PCM®-8, ESP®-300, ESP-400, ESP-600 and ESP-1000

Consumables

	Centricut part number	Reference number	Description	Pkg qty
1	C10-628	996628	Gasket	5
2	C10-693	2075693	Insulator, .140	5
	C10-617	2075617	Insulator, .180	5
	C10-606	2075606	Insulator, .225	5
	C10-607	2075607	Insulator, .260	5
3	C10-619	996619	Spacer	5
4	C10-618	996618	Centering sleeve	5
5	C10-584	2075584	Water swirl ring, standard	5
	C10-616	2075616	Water swirl ring, reverse	5
6	C10-694	2075694	Nozzle base, .125	5
	C10-608	2075608	Nozzle base, .156	5
	C10-609	2075609	Nozzle base, .200	5
	C10-610	2075610	Nozzle base, .230	5



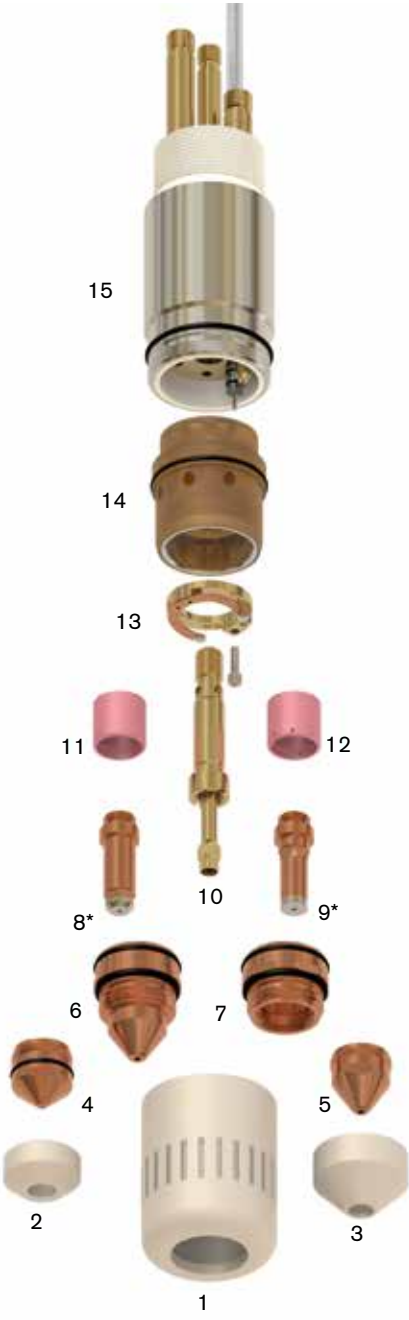
System: ESP®-200/300/400/600C/1000, PCM®-150/1500/8XL

Consumables

	Centricut part number	Reference number	Description	Pkg qty
1	L47-085	34085	Nozzle retaining cap	1
	C47-082	37082	Nozzle retaining cap	1
2	L47-885	34885	Heat shield, 50 amp	1
	C47-186	948186	Heat shield, std, 100-360 amp	1
3	L47-506	19506	Heat shield, heavy duty, 100-360 amp	1
	C47-026	22026	Nozzle tip, .041, 50 amp	1
4	C47-029	22029	Nozzle tip, .071, 100 amp	1
	C47-030	22030	Nozzle tip, .082, 150 amp	1
5	C47-031	22031	Nozzle tip, .091, 200 amp	1
	C47-922	22032	Nozzle tip, 250 amp	1
6	C47-985	22034	Nozzle tip, 360 amp	1
	C47-995	22033	Nozzle tip, 400 amp	1
6	C47-822	21822	Nozzle, .099, 250 amp	1
	C47-885	35885	Nozzle, .120, 360 amp	1
7	C47-195	22195	Nozzle, .130, 400 amp	1
	C47-027	22027	Nozzle base, 50 amp	1
7	C47-028	22028	Nozzle base, 100-400 amp	1
	C47-1096*	34086	SilverLine® electrode, 250 amp	1
8	C47-1086*	35886	SilverLine electrode, 360 amp	1
	C47-996	34086	Electrode, CopperLine®, 250 amp	1
10	C47-084	34084	Electrode holder	1
	C47-142	948142	Gas swirl baffle, 4 hole, standard, 100-280 amp	1
11	L47-143	948143	Gas swirl baffle, 4 hole, reverse, 70-200 amp	1
	C47-586	2075586	Gas swirl baffle, 8 hole, standard, 260 amp	1
12	C10-660	35660	Gas swirl baffle, 8 hole, standard, 300-600 amp	1
	L10-918	20918	Gas swirl baffle, 8 hole, reverse, 260 amp	1
13	C47-940	21940	Contact ring assembly	1

Maintenance items

	Centricut part number	Reference number	Description	Pkg qty
	C10-403	20403	PA bus insulator	1
14	C47-434	20434	Insulator assembly	1
15	C47-391*	20391	PT-19XL torch body	1
	L47-110	37110	Electrode holder - removal tool	1
	C14-793	85W10	O-ring, rear insulator	3
	C10-W99	86W99	O-ring, electrode holder	5
	C47-528	996528	O-ring, outside insulator body and torch	5
	C47-999	N/A	O-ring kit, insulator body	1
	C10-106	2064106	O-ring, insulator body rear edge, red	5
	C47-W85	86W85	O-ring, insulator body center	5
	C47-526	996526	O-ring, insulator body small	5
	C47-527	996527	O-ring, inside insulator body	5
	C10-483	19483	Double threaded mounting tube	1
	L47-551	21551	Air curtain sleeve	1
	L10-408	20408	High frequency connector	1
	L10-4775	34775	Power cable, 4.5 ft.	1
	L10-568	996568	Electrode removal tool	1
	C47-006	181W89	O-ring, nozzle	5
	027055	N/A	Lubricant .25 oz. (7 ml) tube	1



**Hypertherm technology –
SilverLine electrodes**

Centricut, SilverLine and CopperLine are registered trademarks of Hypertherm, Inc. and may be registered in the United States and/or other countries. All other trademarks are the properties of their respective owners. Centricut is in no way affiliated with ESAB.

System: ESP®-200/300/400/600C/1000, PCM®-150/1500/8XL

Consumables



	Centricut part number	Reference number	Description	Pkg qty
1	L47-801	21801	Shield retainer assembly	1
2	L47-795	21795	Shield, 50 amp	5
3	C47-802	21802	Shield, 100-250 amp	1
	C47-945	21945	Shield, 300-400 amp	1
4	L47-796	21796	Diffuser, 50 amp	1
5	C47-944	21944	Diffuser, 100-600 amp	1
6	L47-982	21982	Nozzle retaining cup	1

*Centricut part features a unique Hypertherm design that differs from the OEM design.

See PT-19XL (page 10) for remaining consumables for the PT-19XL+S.

System: ESP®-200/300/400/600C/1000, PCM®-150/1500/8XL

Consumables

	Centricut part number	Reference number	Description	Pkg qty	
1	C47-081	37081	Shield retainer, copper	1	
	L122-616	0558004616	Shield retainer, plastic	1	
2	L47-795	21795	Shield, 50 amp	5	
3	C47-802	21802	Shield, 100-250 amp	1	
	C47-945	21945	Shield, 325-600 amp	1	
4	L47-796	21796	Diffuser, 50 amp	1	
5	C47-944	21944	Diffuser, 100-600 amp	1	
	C47-496	22496	Diffuser, 100-600 amp, reverse	1	
6	C47-082	37082	Nozzle retaining cap	1	
	L47-431	37431	Nozzle retaining cap, air curtain	1	
7	C47-027	22027	Nozzle base, 50 amp	1	
8	C47-028	22028	Nozzle base, 100-400 amp	1	
9	C47-026	22026	Nozzle tip, .041, 50 amp	1	
10	C47-029	22029	Nozzle tip, .071, 100 amp	1	
	C47-030	22030	Nozzle tip, .082, 150 amp	1	
	C47-031	22031	Nozzle tip, .091, 200 amp	1	
	C47-922	22032	Nozzle tip, 250 amp	1	
	C47-985	22034	Nozzle tip, 360 amp	1	
	C47-995	22033	Nozzle tip, 400 amp	1	
	11	C47-822	21822	Nozzle, .099, 250 amp	1
		C47-885	35885	Nozzle, .120, 360 amp	1
C47-195		22195	Nozzle, .130, 400 amp	1	
L47-401		22401	Nozzle, 600 amp	1	
12	C47-1096	34086	SilverLine® electrode, 50-250 amp	1	
13	C47-1086	35886	SilverLine electrode, 360 amp	1	
	C47-996	34086	Electrode, CopperLine®, 250 amp	1	
	L47-196	22196	Electrode, 400 amp	1	
	L47-403	22403	Electrode, N ₂ /ArH ₂ , 600 amp	5	



Hypertherm technology –
SilverLine electrodes

Centricut, SilverLine and CopperLine are registered trademarks of Hypertherm, Inc. and may be registered in the United States and/or other countries. All other trademarks are the properties of their respective owners. Centricut is in no way affiliated with ESAB.

System: ESP®-200/300/400/600C/1000, PCM®-150/1500/8XL

Maintenance items

	Centricut part number	Reference number	Description	Pkg qty
14	C47-068	37068	Electrode holder	1
15	C47-142	948142	Gas baffle, 4 x .032, 50-200 amp	1
	L47-143	948143	Gas baffle, 4 x .032, rev, 50-200 amp	1
16	C10-660	35660	Gas baffle, 8 X .047, 250-600 amp	1
	L47-194	22194	Gas baffle, 32 X .023, 400 amp	1
	C122-530R	0558002530R	Gas baffle, 8 x .047, reverse, 250-600 amp	1
17	C47-071	37071	Contact ring assembly	1
18	C47-083	37083	Insulator body	1
19	C47-066	37066	Torch body	1
20	C47-900	N/A	Insulating tube kit, PT-19XLS/PT-600	1
	C10-483	19483	Double threaded mounting tube	1
	C10-033	951000	O-ring, PTFE* tubes	5
	C47-528	996528	O-ring, outside insulator body and torch	5
	C10-W85	86W85	O-ring, insulator body center	1
	C10-106	2064106	O-ring, insulator body rear edge, red	5
	C47-998	N/A	O-ring kit, insulator body	1
	C47-006	181W89	O-ring, nozzle	1
	L47-110	37110	Electrode holder removal tool	1
	L10-408	20408	High frequency connector	1
	L47-063	37063	Locating pin	1
	L47-075	37075	P.A. collet and wire assembly	1
	027055	N/A	Lubricant .25 oz. (7 ml) tube	1

*PolyTetraFluoroEthylene is a fluorocarbon-based polymer and is commonly abbreviated PTFE. The Teflon® brand of PTFE is manufactured only by DuPont and is not sold by Hypertherm. Hypertherm purchases other brands of PTFE from various high quality manufacturers.



System: ESP®-200/300/400/600C/1000, PCM®-150/1500/8XL®

Consumables



	Centricut part number	Reference number	Description	Pkg qty
1	C47-081	37081	Shield retainer, copper	1
	L122-616	0558004616	Shield retainer, plastic	1
2	L47-795	21795	Shield, 50 amp	5
3	C47-802	21802	Shield, 100-250 amp	1
	C47-945	21945	Shield, 325-600 amp	1
	L96-4678	0558004678	Shield	5
4	L47-796	21796	Diffuser, 50 amp	1
5	C47-944	21944	Diffuser, 100-600 amp	1
	C47-496	22496	Diffuser, 100-600 amp, reverse	1
6	C47-082	37082	Nozzle retaining cap	1
	L47-431	37431	Nozzle retaining cap, air curtain	1
7	C47-027	22027	Nozzle base, 50 amp	1
8	C47-028	22028	Nozzle base, 100-400 amp	1
9	C47-026	22026	Nozzle tip, .041, 50 amp	1
10	C47-029	22029	Nozzle tip, .071, 100 amp	1
	C47-030	22030	Nozzle tip, .082, 150 amp	1
	C47-031	22031	Nozzle tip, .091, 200 amp	1
	C47-922	22032	Nozzle tip, 250 amp	1
	C47-985	22034	Nozzle tip, 360 amp	1
	C47-995	22033	Nozzle tip, 400 amp	1
	L96-5306	0558005306	Nozzle, 70-110 amp	1
11	C47-822	0558001623	Nozzle, .099, 250 amp	1
	C47-885	0558001885	Nozzle, .120, 360 amp	1
	C47-195	0558001886	Nozzle, .130, 400 amp	1
	L47-401	0558001887	Nozzle, 600 amp	1
12	C96-1024*	0558001624	SilverLine® electrode, 250 amp	1
13	C96-1016*	0558002516	SilverLine electrode, 360/400 amp	1
	L96-2499	0558002499	Electrode, N ₂	5
15	C47-142	0558002533	Gas baffle, 4 x .032, 50-200 amp	1
	L47-143	0558002534	Gas baffle, 4 x .032, rev, 50-200 amp	1
	C122-530R	0558002530R	Gas baffle, 8 X .047, rev, 250-600 amp	1
16	C10-660	0558001625	Gas baffle, 8 X .047, 300-600 amp	1
	L47-194	22194	Gas baffle, 32 X .023, 400 amp	1

**Hypertherm technology –
SilverLine electrodes**

Centricut and SilverLine are registered trademarks of Hypertherm, Inc. and may be registered in the United States and/or other countries. All other trademarks are the properties of their respective owners. Centricut is in no way affiliated with ESAB.

System: ESP®-200/300/400/600C/1000, PCM®-150/1500/8XL

Maintenance items

	Centricut part number	Reference number	Description	Pkg qty
14	C96-621	0558001621	Electrode holder	1
15	C47-142	0558002533	Gas baffle, 4 x .032, 50-200 amp	1
	L47-143	0558002534	Gas baffle, 4 x .032, rev, 50-200 amp	1
	C122-530R	0558002530R	Gas baffle, 8 X .047, rev, 250-600 amp	1
16	C10-660	0558001625	Gas baffle, 8 X .047, 300-600 amp	1
	L47-194	22194	Gas baffle, 32 X .023, 400 amp	1
	C47-073	37073	Screw, contact ring	1
17	C47-071	37071	Contact ring assembly	1
	C47-528	996528	O-ring, outside insulator body and torch	5
	C47-998	N/A	O-ring, kit, insulator body	1
	C10-483	19483	Double threaded mounting tube	1
18	C47-083	37083	Insulator body use with C47-066	1
19	C47-066	37066	Torch body	1
	C96-925	0558001825	Torch body assembly, modular, with insulator	1
20	C47-900	N/A	Insulating tube kit, PT-19XLS/PT-600	1
	L96-4611	0558004611	Electrode holder tool	1
	L10-4775	34775	Power cable, 4.5 ft.	1
	027055	N/A	Lubricant .25 oz. (7 ml) tube	1

*Centricut part features a unique Hypertherm design that differs from the OEM design.



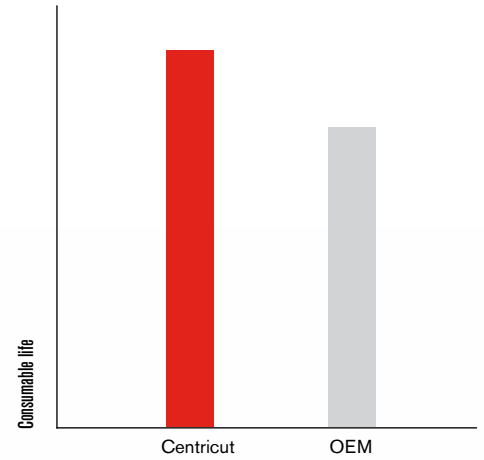


Enhanced performance for ESAB PT-600® and PT-19XLS®

Centricut heavy duty consumables for ESAB torches deliver superior consumable life for all cutting processes and provide excellent cut quality and cut speed.

- Up to 30% longer consumable life compared to ESAB UL electrode
- Cutting speed and cut quality equal to ESAB
- Full product line covers all cutting amperages and processes – including 200A EPP
- High-quality parts – set to set consistency

Consumable life as measured in customer applications



High performing consumables for ESAB PT-600 and PT-19XLS torches.

System: ESP®-200/300/400/600C/1000, PCM®-150/1500/8XL

Consumables

Centricut part number	Reference numbers			Description	Pkg qty	
1	C47-081	37081	N/A	N/A	Shield retainer, copper	1
	L122-616	N/A	0558004616	N/A	Shield retainer, plastic	1
2	C122-130	21795	N/A	0004470027	Shield, 3.0 mm, 35-50 amp	1
	C122-141	N/A	0558004678	N/A	Shield, 4.1 mm, 200 amp (PT-600 EPP Process)	1
3	C122-166	21802	N/A	0004470028	Shield, 6.6 mm, 100-250 amp	1
	C122-199	21945	N/A	0004470029	Shield, 9.9 mm, 325-600 amp	1
	L47-796	21796	N/A	0004470030	Diffuser, 50 amp	1
4	C47-944	21944	N/A	0004470031	Diffuser, 100-600 amp	1
	C47-496	22496	N/A	0004470115	Diffuser, reverse, 100-600 amp	1
5	C47-082	37082	N/A	0004470045	Nozzle retaining cap	1
6	C122-6010	N/A	0558001881	N/A	CoolFlow™ nozzle, 1.0 mm, 50 amp	1
	C122-018	N/A	0558001882	N/A	CoolFlow nozzle, 1.8 mm, 100 amp	1
	C122-020	N/A	0558001883	N/A	CoolFlow nozzle, 2.0 mm, 150-200 amp	1
	C122-023	N/A	0558001884	N/A	CoolFlow nozzle, 2.3 mm, 200 amp	1
	C122-025	21822	0558001623	N/A	CoolFlow nozzle, 2.5 mm, 250 amp	1
	C122-030	35885	0558001885	N/A	CoolFlow nozzle, 3.0 mm, 360 amp	1
	C122-036	22195	0558001886	N/A	CoolFlow nozzle, 3.6 mm, 400 amp	1
	C122-041	22401	0558001887	N/A	CoolFlow nozzle, 4.1 mm, 600 amp	1
7	C47-1096	34086	0558004458	0004485684	SilverLine® electrode, 50-250 amp, PT-19XLS	1
8	C47-1086	35886	0558004460	0004485829	SilverLine electrode, 360 amp, PT-19XLS	1
9	C96-1024	0558004461	0558001624	N/A	SilverLine electrode, 250 amp, PT-600	1
10	C96-1016	0558004462	0558002516	N/A	SilverLine electrode, 360/400 amp, PT-600	1



Hypertherm technology -

SilverLine electrodes
and CoolFlow nozzles

System: ESP®-200/300/400/600C/1000, PCM®-150/1500/8XL

Maintenance items

	Centricut part number	Reference number			Description	Pkg qty
11	C47-068	37068	N/A	0004470037	Electrode holder, PT-19XLS	1
12	C96-621	N/A	0558001621	N/A	Electrode holder, PT-600	1
13	C47-142	948142	0558002533	0004485612	Gas baffle, 4 x .032, 50-200 amp	1
	L47-143	948143	0558002534	0004485613	Gas baffle, 4 x .032, rev, 50-200 amp	1
	C10-660	35660	0558001625	0004485827	Gas baffle, 8 x .047, 250-600 amp	1
	C122-530R	35661	0558002530R	N/A	Gas baffle, 8 x .047, rev, 250-600 amp	1
	L47-194	22194	0558002532	0004470097	Gas baffle, 32 x .023, 400 amp	1
14	C47-071	37071	0558003858	N/A	Contact ring assembly	1
	C47-066	37066	N/A	0004470040	Torch body, PT-19XLS	1
15	C96-925	N/A	0558001825	N/A	Torch body, PT-600	1
	027055	N/A	N/A	N/A	Lubricant .25 oz. (7 ml) tube	1

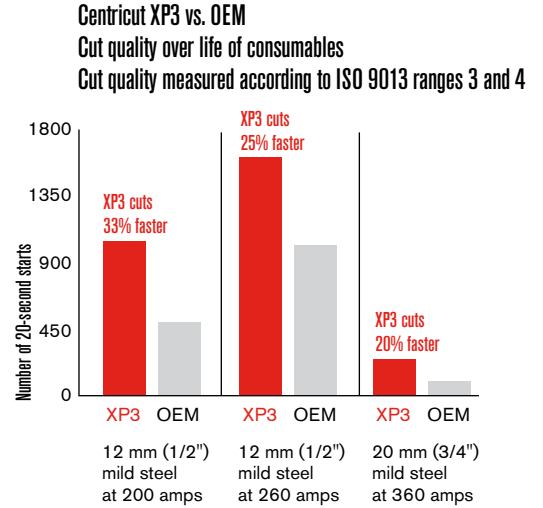




Best performance for ESAB® PT-600® and PT-19XLS®

For optimum consumable life, cut quality and speed for your ESAB cutting process, use Centricut's best performing XP3 consumables which utilize Hypertherm's latest plasma technologies.

- On average, doubled consumable life compared to ESAB UL electrode
- 25% cutting speed increase on average
- Lower dross and better cut quality than ESAB over the life of the consumables
- High-quality parts – set to set consistency



Highest performing consumables for ESAB® PT-600® and PT-19XLS® torches.

System: ESP®-200/300/400/600C/1000, PCM®-150/1500/8XL

Consumables



	Centricut part number	Reference number	Description	Pkg qty
1	C47-081	37081	Shield retainer, copper	1
	L122-616	0558004616	Shield retainer, plastic	1
2	C120-920*	N/A	MultiPort shield, 200 amp	1
	C120-900	N/A	MultiPort shield, 260 amp	1
	C120-936	N/A	MultiPort shield, 360 amp	1
3	C47-944	21944	Diffuser, 100-600 amp	1
	C47-496	22496	Diffuser, rev, 100-600 amp	
4	C47-082	37082	Nozzle retaining cap	1
5	C120-200	N/A	CoolFlow™ nozzle tip, 200 amp	1
	C120-260	N/A	CoolFlow nozzle tip, 260 amp	1
	C120-360	N/A	CoolFlow nozzle tip, 360 amp	1
	C120-2200*	N/A	CoolFlow nozzle kit, 200 amp, 20 pack	1
	C120-2260*	N/A	CoolFlow nozzle kit, 260 amp, 20 pack	1
	C120-2360*	N/A	CoolFlow nozzle kit, 360 amp, 20 pack	1
6	C120-010*	N/A	CoolFlow nozzle base	1
7	C120-020*	N/A	Nozzle coolant baffle	1
8	C120-030*	N/A	CoolFlow nozzle base assembly	1
9	C120-1010*	N/A	SilverLine® electrode	1

*Centricut part features a unique Hypertherm design that differs from the OEM design.

Note: CoolFlow nozzle kits contain 20 CoolFlow nozzle tips and one CoolFlow nozzle base assembly.

**Hypertherm technology –
SilverLine electrodes and CoolFlow™
nozzles and MultiPort shield**

System: ESP[®]-200/300/400/600C/1000, PCM[®]-150/1500/8XL

Maintenance items

	Centricut part number	Reference number	Description	Pkg qty
10	C96-621	0558001621	Electrode holder	1
11	C10-660	0558001625, 35660	Gas baffle, 8 X .047, 300-600 amp	1
	C47-142	0558002533, 948142	Gas baffle, 4 x .032, 50-200 amp	1
	C47-073	37073	Screw, contact ring assembly	1
12	C47-071	37071	Contact ring assembly	1
	C47-083	37083	Insulator body - use with C47-066	1
	C47-066	37066	Torch body	1
13	C96-925	0558001825	Torch body modular	1
	C47-006	181W89	O-ring, nozzle	5
	C47-998	N/A	O-ring, kit, insulator bod	1
	C120-012	N/A	Wrench, elec/nozzle	1
	C120-013	N/A	Wrench, nozzle base	1
	027055	N/A	Lubricant .25 oz. (7 ml) tube	1

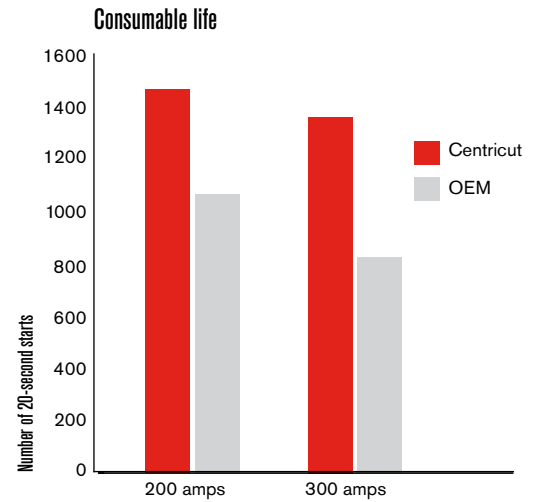




Consumable technology for ESAB® PT-36® (m³® system)

Centricut consumables lower your cost of cutting without sacrificing quality or productivity.

- Up to double the life of ESAB consumables as tested in the lab and field
- Cutting speed and cut quality equal to ESAB
- Full product line covers all cutting amperages and metals
- High-quality parts – set to set consistency



Long life consumables from Centricut reduce the number of consumables purchased each year.

System: ESP®-200/300/400/600C/1000, EPP-200, 360

Consumables



	Centricut part number	Reference number	Description	Pkg qty
1	C47-081	37081	Shield retainer, copper	1
	L122-616	0558009395	Shield retainer, plastic	1
2	C122-624	0558007624	Shield, 2.4 mm, 45-55 amp	1
	C122-130	0558006130	Shield, 3.0 mm, 35-50 amp	1
	C122-141	0558006141	Shield, 4.1 mm, 100-280 amp	1
	C122-166	0558006166	Shield, 6.6 mm, 260-450 amp	1
	C122-199	0558006199	Shield, 9.9 mm, 360-600 amp	1
	L47-796	21796	Diffuser, 50 amp	1
3	C47-944	21944	Diffuser, 100-600 amp	1
	C47-496	22496	Diffuser, rev, 100-600 amp	1
4	C47-082	37082	Nozzle retaining cap	1
5	C122-908	0558006908	CoolFlow™ nozzle, .08 mm, 35 amp	1
	C122-8010	0558008010	CoolFlow nozzle, 1.0 mm, PR, 45-55 amp	1
	C122-6010	0558006010	CoolFlow nozzle, 1.0 mm, 50 amp	1
	C122-014	0558006014	CoolFlow nozzle, 1.4 mm, 100 amp	1
	C122-018	0558006018	CoolFlow nozzle, 1.8 mm, 130 amp	1
	C122-020	0558006020	CoolFlow nozzle, 2.0 mm, 200 amp	1
	C122-023	0558006023	CoolFlow nozzle, 2.3 mm, 280 amp	1
	C122-025	0558006025	CoolFlow nozzle, 2.5 mm, 300 amp	1
	C122-030	0558006030	CoolFlow nozzle, 3.0 mm, 360 amp	1
	C122-036	0558006036	CoolFlow nozzle, 3.6 mm, 450 amp	1
	C122-041	0558006041	CoolFlow nozzle, 4.1 mm, 600 amp	1
6	C122-1059	0558005459, 0558003914	SilverLine® electrode, O ₂ , 45-130 amp	1
7	C122-1091	0558007791, 0558003914	SilverLine electrode, O ₂ , 200-450 amp	1
8	C122-1014		SilverLine electrode, O ₂	1
9	C122-928	0558003928	Electrode, SS/AL, 600 amp	1

**Hypertherm technology –
SilverLine electrodes
and CoolFlow nozzles**

System: ESP®-200/300/400/600C/1000, EPP-200, 360

Maintenance items

	Centricut part number	Reference number	Description	Pkg qty
10	C122-924	0558003924	Electrode holder	1
11	C122-457	0558005457	Gas baffle, 4X.022, 35-70 amp	1
	C122-533	0558002533	Gas baffle, 4X.032, 100-280 amp	1
	C122-530R	0558002530R	Gas baffle, 8X.047, reverse, 300-600 amp	1
	C10-660	0558001625	Gas baffle, 8X.047, 300-600 amp	1
	L122-3918	0558003918	Electrode nut driver	1
	C47-073	37073	Screw, contact ring	1
	12	C47-071	0558003858	Contact ring assembly
13	C10-483	0558001626	Double threaded mounting tube	1
	C122-804	0558003804	Torch body	1
	027055	N/A	Lubricant .25 oz. (7 ml) tube	1



System: FineLine™ 200PC and 150PC

Consumables

	Centricut part number	Reference number	Description	Pkg qty
1	C104-210	200210	Outer cap	1
2	I104-230	200230	Shield cap, 30 amp, MS/AL	1
	I104-233	200233	Shield cap, 30 amp, SS	1
	I104-237	200237	Shield cap, 50 amp, SS	1
	C104-231	200231	Shield cap, 50-70 amp, MS/SS/AL	1
	C104-232	200232	Shield cap, 100 amp, MS/SS/AL	1
	C104-234	200234	Shield cap, 200 amp, MS/SS/AL	1
3	C104-217	200217	Retaining cap, 30/50/70 amp, MS	1
	C104-218	200218	Retaining cap, 100 amp, MS	1
	C107-266	277266, 200219	Retaining cap, 200/275 amp, MS/SS/AL	1
	I104-222	200222	Nozzle, 30 amp, MS/AL	1
	I104-228	200228	Nozzle, 30 amp, SS	1
	I104-229	200229	Nozzle, 50 amp, SS	1
4	C104-223	200223	Nozzle, 50 amp, MS/AL	1
	C104-224	200224	Nozzle, 70 amp, MS	1
	I104-240	200240	Nozzle, 70 amp, AL/SS	1
	C104-225	200225	Nozzle, 100 amp, MS	1
	C104-239	200239	Nozzle, 100 amp, AL/SS	1
	C104-227	200227	Nozzle, 200 amp, MS/SS/AL	1
5	I104-0274	200274	Nozzle, 200 amp, SS	1
	I104-279	200279	Swirl ring, 30 amp, SS	1
	C104-277	200277	Swirl ring, 100 amp, MS	1
6	C104-221	200221	Swirl ring, 200 amp, MS	1
	I104-213	200213	Electrode, 30 amp, MS/AL	1
	I104-238	200238	Electrode, 30-50 amp, SS	1
7	C104-214	200214	Electrode, 50-70 amp, MS	1
	C104-1005	200215	SilverLine® electrode, 100 amp, MS	1
	C104-215	200215	Electrode, 100 amp, MS	1
	C104-115	202115	Electrode, 200 amp, MS	1
8	I104-111	202111	Electrode, 200 amp, SS	1
	C104-1015	202115	SilverLine electrode, 200 amp, MS	1

Maintenance items

	Centricut part number	Reference number	Description	Pkg qty
10	C104-112	200112	Cooling tube	1
	C104-109	200109	Wrench, cooling tube	1
11	I104-390	200390	Nozzle removal tool	1
	C104-017	N/A	O-ring	5
	I104-024	500024	O-ring	1
	I104-018	500018	O-ring	1
	I104-209	820209	O-ring	1
	I104-200	200000	Torch body	1
	027055	N/A	Lubricant .25 oz. (7 ml) tube	1

If the FineLine torch has been upgraded to Spirit, see pages 33 to 35 for consumables.

**Hypertherm technology –
SilverLine electrodes**

System: SR-45i®

Consumables

	Centricut part number	Reference number	Description	Pkg qty
1	I36-098	770098	Retaining cap	1
2	C36-030	770030	Nozzle, insulation	5
3	C36-104	770104	Nozzle, tapered	5
4	C36-000	770000	Nozzle, Air	5
5	C36-012	770012	Swirl ring	1
6	C36-715*	770015/ 770017	Electrode, Air	5

Maintenance Items

	Centricut part number	Reference number	Description	Pkg qty
7	I36-073	770073	Torch body	1
	136-072	770072	O-ring	5
	027055	N/A	Lubricant .25 oz. (7 ml) tube	1

*Centricut part features a unique Hypertherm design that differs from the OEM design.



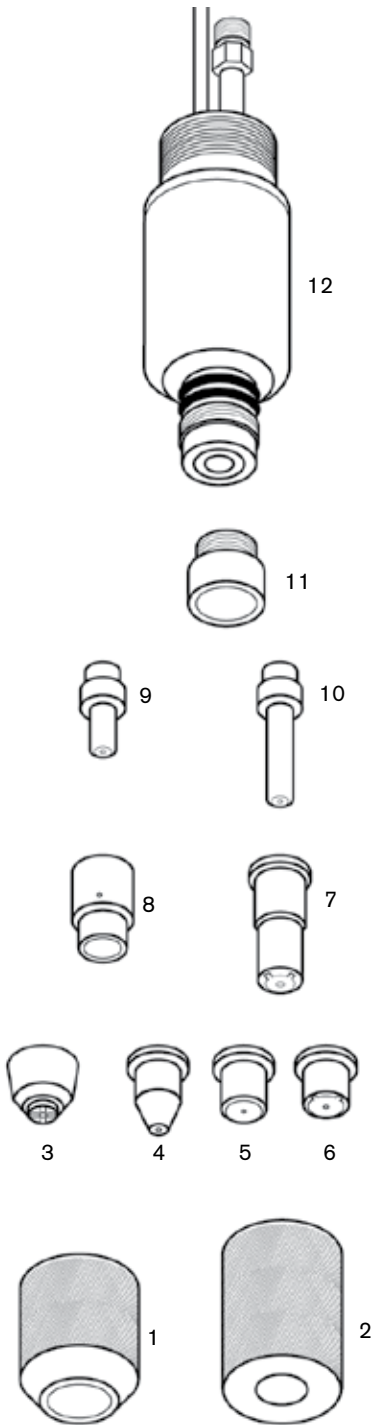
System: SR-45i®

Consumables

	Centricut part number	Reference number	Description	Pkg qty
1	020200	020200	Retaining cap, high visibility	1
2	C02-104	020104	Retaining cap	1
3	020197	020197	Nozzle, high visibility	5
4	C02-102	020102	Nozzle	10
5	C02-131	020131	Nozzle, pipe	10
6	C02-115	020115	Nozzle	10
7	020466	020466	Nozzle, extended	5
	020340	020340	Nozzle, gouging	5
8	C02-101	020101	Swirl ring	2
9	C02-103	020103	Electrode, Air	10
	020167	020167	Electrode, N ₂	5
10	020467	020467	Electrode, Air, extended	5

Maintenance items

	Centricut part number	Reference number	Description	Pkg qty
	C02-016	044016	O-ring	5
11	C02-043	N/A	Insulator, replaceable	1
12	C36-973	N/A	Retrofit modular torch body	1
	027055	N/A	Lubricant .25 oz. (7 ml) tube	1





Centricut also manufactures the broadest line of CO₂ laser consumables available on the market



To learn more about Centricut's full line of CO₂ laser consumables, visit: www.hypertherm.com/centricut

Centricut CO₂ laser consumables deliver equal performance to the laser OEM, the quality you have come to expect from Hypertherm and a competitive Centricut price.

Hypertherm[®]
Cut with confidence[®]

PLASMA | LASER | WATER JET | AUTOMATION | SOFTWARE | CONSUMABLES

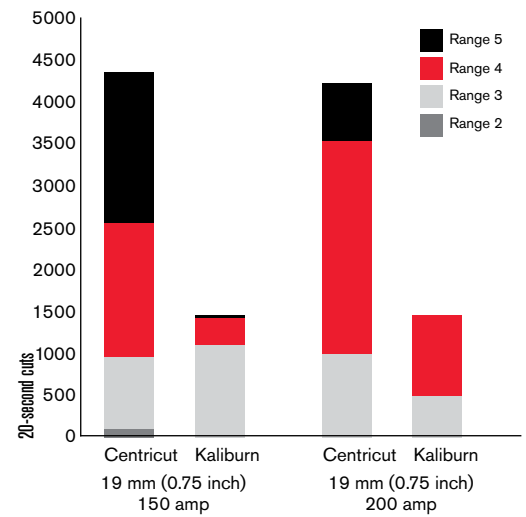


Superior performance for Kaliburn® Spirit® and ProLine® systems

Centricut torches and consumables lower your cost of cutting, improve cut quality, increase productivity and ensure process reliability.

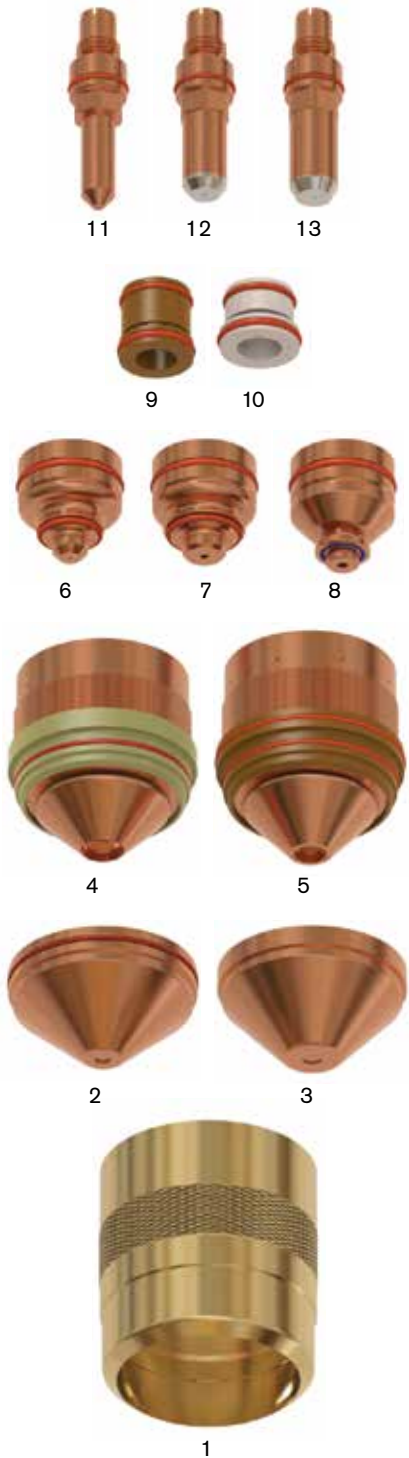
- Two to three times longer consumable life with improved cut quality up to 275 A
- 50% longer consumable life cutting at 400 A
- Improved swirl ring design is more robust than Kaliburn
- High-quality parts – set to set consistency
- Centricut quick disconnect torch gives fast job changeover and easy consumables change
- Superior performance at a lower price for your Kaliburn Spirit and ProLine systems

Consumable life with ISO 9013.2002 (E) cut quality ranges noted



System: Spirit 150a, 200a, 275a, 400a, ProLine 2150, 2200, 2260

Consumables



	Centricut part number	Reference number	Description	Pkg qty	
1	C107-154	277154	Outer cap, 30-275 amp	1	
	C107-050	284150	Outer cap, 400 amp	1	
2	C107-145	277145	Shield cap, 30 amp, MS/AL	1	
	C107-144	277144	Shield cap, 30 amp, SS, Air	1	
	C107-115	277115	Shield cap, 50 amp, MS	1	
	C107-149	277149	Shield cap, 50 amp, SS, Air	1	
	C107-150	277150	Shield cap, 70 amp, MS/SS/AL	1	
	C107-286	277286	Shield cap, 100 amp, MS/SS/AL, Air	1	
	C107-117	277117	Shield cap, 150 amp, MS/SS/AL	1	
	C107-274	277274	Shield cap, 200 amp, MS/SS/AL	1	
	C107-263	277263	Shield cap, 275 amp, MS/SS/AL	1	
	3	C107-123	284123	Shield cap, 400 amp, MS	1
C107-153		277153	Retaining cap, 30/50/070 amp, MS/SS/AL	1	
4	C107-110	277110	Retaining cap, 30/150 amp SS, Air	1	
	C107-151	277151	Retaining cap, 100/150 amp, MS/SS/AL	1	
	C107-152	277152	Retaining cap, 150 amp, MS/SS/AL	1	
	I107-113	277113	Retaining cap, 200 amp SS, H17	1	
	C107-266	277266	Retaining cap, 200/275 amp, MS/SS/AL	1	
	C107-121	284121	Retaining cap, 400 amp, MS	1	
6	C107-120*	277120	CoolFlow™ nozzle, 30 amp, MS/AL	1	
	C107-021*	277121	CoolFlow nozzle, 30 amp, SS, Air	1	
	C107-122*	277122	CoolFlow nozzle, 50 amp, MS/AL	1	
	C107-023*	277123	CoolFlow nozzle, 50 amp, SS, Air	1	
	C107-125*	277125	CoolFlow nozzle, 70 amp, MS/SS/AL	1	
	C107-284*	277284	CoolFlow nozzle, 100 amp, MS/SS/AL, Air	1	
	I107-126	277126	Nozzle, 100 amp, SS, H17	1	
	7	C107-293*	277293	CoolFlow nozzle, 150 amp, MS/SS/AL, Air	1
		C107-289*	277289	CoolFlow nozzle, 200 amp, MS/SS/AL, Air	1
		C107-269*	277269	CoolFlow nozzle, 275 amp, MS	1
C107-276*		277276	CoolFlow nozzle, 275 amp, SS/AL	1	
8	C107-025*	284125	CoolFlow nozzle, 400 amp, MS	1	
	9	C107-140	277140	Swirl ring, 30/50/70 amp, MS/SS/AL, H17	1
		C107-138	277138	Swirl ring, 30 amp, SS, Air	1
		C107-142	277142	Swirl ring, 50/70/100 amp	1
		C107-283*	277283	Swirl ring, 100 amp, MS/SS/AL, Air	1
10	C107-139*	277139	Swirl ring, 150 amp, MS/SS/AL	1	
	C107-143*	277143	Swirl ring, 200 amp, MS/SS/AL	1	
	C107-259*	277259	Swirl ring, 200 amp, SS, H17	1	
	C107-258*	277258	Swirl ring, 275 amp, MS/SS/AL	1	
	C107-022*	284122	Swirl ring, 400 amp, MS/SS/AL	1	
	11	C107-130	277130	Electrode, 30 amp, MS/AL	1
C107-137		277137	Electrode, 30/50 amp, SS, Air	1	
C107-131		277131	Electrode, 50/70 amp, MS/SS/AL	1	
12		C107-1082*	277282	SilverLine® electrode, 100 amp, MS/SS/AL	1
		I107-133	277133	Electrode, 100 amp, SS, H17	1
		C107-1092*	277292	SilverLine electrode, 150 amp, MS/SS/AL	1
		I107-135	277135	Electrode, 150 amp, SS, H17	1
C107-1091*	277291	SilverLine electrode, 200 amp, MS/SS/AL	1		
C107-1070*	277270	SilverLine electrode, 275 amp, MS/SS/AL	1		
13	C107-1024*	284124	SilverLine electrode, 400 amp, MS	1	

*Centricut part features a unique Hypertherm design that differs from the OEM design.

**Hypertherm technology –
SilverLine electrodes
and CoolFlow nozzles**

System: Spirit 150a, 200a, 275a, 400a, ProLine 2150, 2200, 2260

Maintenance items

	Centricut part number	Reference number	Description	Pkg qty
	C23-001	N/A	Swirl ring removal tool (up to 275 amp only)	1
	C107-007	277007	Cooling tube	1
	C107-091	N/A	O-ring kit, torch head	1
14	C107-9150	279150	Torch head, Spirit 150-275 amp	1
	C107-9100	279100	Torch head, Spirit 400 amp	1
15	C107-9050	279050	Torch base, Spirit 150-275 amp	1
	C107-9000	279000	Torch base, Spirit 400 amp	1
	C107-1050	N/A	Torch kit, Spirit 150-275 amp	1
	C107-1000	N/A	Torch kit, Spirit 400 amp	1
	C107-300	N/A	Plasma gas tube	1
	I107-056	277056	Nozzle removal tool	1
	I107-7087	277087	Kaliburn electrode tool	1
	Q27055	N/A	Lubricant .25 oz. (7 ml) tube	1



15

C107-1050 Torch kit, Spirit 150-275 amp includes:

Centricut part number	Description	Pkg qty
C107-9050	Torch base, Spirit 150-275 amp	1
C107-9150	Torch head, Spirit 150-275 amp	1
C107-300	Plasma gas tube	1
N/A	Insulation material	1
808040	Field service bulletin	1



14

C107-1000 Torch kit, Spirit 400 amp includes:

Part number	Description	Pkg qty
C107-9000	Torch base, Spirit 400 amp	1
C107-9100	Torch head, Spirit 400 amp	1
C107-300	Plasma gas tube	1
N/A	Insulation material	1
808040	Field service bulletin	1

Note: Part numbers listed below reference ProLine parts that have been discontinued by Kaliburn. Centricut carries these parts for existing customers only. New customers with Kaliburn ProLine systems should use the Spirit consumables listed on the previous page (pg. 34). Please contact a Centricut product specialist at 1-800-752-7623 or at 1-603-298-7849 with questions on parts selection.

Consumables

Centricut part number	Reference number	Description	Pkg qty
C107-147	277147	Shield cap, 100 amp	1
C107-148	277148	Shield cap, 200 amp, SS	1
C107-127	277127	CoolFlow [™] nozzle, 100 amp, MS	1
C107-119	277119	CoolFlow nozzle, 150 amp, MS	1
C107-268	277268	CoolFlow nozzle, 200 amp, MS	1
C107-1034	277134	SilverLine [®] electrode, 100 amp, MS	1
C107-1036	277136	SilverLine electrode, 150/200 amp, MS	1

Centricut, CoolFlow and SilverLine are registered trademarks of Hypertherm, Inc. and may be registered in the United States and/or other countries. All other trademarks are the properties of their respective owners. Centricut is in no way affiliated with Kaliburn.

Torch: PerCut 101®

Consumables – Carbon steel



	Centricut part number	Reference number	Alternate reference	Description	Pkg qty
1	C106-081	.11.835.201.081	Z501	Protection cap	1
2	C106-561	.11.835.201.1561	Z4015	Swirl gas cap, 1.5 mm	1
	C106-571	.11.835.201.1571	Z4020	Swirl gas cap, 2.0 mm	1
	C106-581	.11.835.201.1581	Z4025	Swirl gas cap, 2.5 mm	1
	C106-591	.11.835.201.1591	Z4030	Swirl gas cap, 3.0 mm	1
	C106-171	.11.835.401.1571	Z4140	Swirl gas cap, 4.0 mm	1
5	C106-406	.11.835.221.406	Z2006	Nozzle, 0.6 mm	10
	C106-407	.11.835.221.407	Z2007	Nozzle, 0.7 mm	10
	C106-408	.11.835.221.408	Z2008	Nozzle, 0.8 mm	10
	C106-409	.11.836.221.409	Z2009	Nozzle, 0.9 mm	10
	C106-410	.11.835.221.410	Z2010	Nozzle, 1.0 mm	10
	C106-411	.11.835.221.411	Z2011	Nozzle, 1.1 mm	10
	C106-412	.11.835.421.412	Z2112	Nozzle, 1.2 mm	10
	C106-112	.11.835.221.412	Z2012	Nozzle, 1.2 mm	10
	C106-414	.11.835.421.414	Z2114	Nozzle, 1.4 mm	10
4	C106-160	.11.835.201.160	Z3004	Nozzle cap, complete, 0.4 mm	1
	C106-162	.11.835.201.162	Z3008	Nozzle cap complete, 0.8 mm	1
7	C106-153	.11.835.221.153	Z101	Gas guide cap, 0.4 mm	1
8	K106-253	.11.834.321.153	Z111	Gas guide cap	1
9	C106-303	.11.835.421.303	Z111A	Spacer	1
10	C106-1021*	.11.835.421.3101	Z012	SilverLine® electrode	1
	C106-1001*	.11.835.221.3101	Z002	SilverLine electrode	1

Consumables – Stainless steel and aluminum

	Centricut part number	Reference number	Alternate reference	Description	Pkg qty
1	C106-081	.11.835.201.081	Z501	Protection cap	1
3	C106-1571	.11.835.411.1571	Z4520	Swirl gas cap, 2.0 mm	1
	C106-1581	.11.835.411.1581	Z4530	Swirl gas cap, 3.0 mm	1
	C106-1591	.11.835.411.1591	Z4540	Swirl gas cap, 4.0 mm	1
4	C106-162	.11.835.201.162	Z3008	Nozzle cap complete, 0.8 mm	1
5	C106-406	.11.835.221.406	Z2006	Nozzle, 0.6 mm	10
	C106-407	.11.835.221.407	Z2007	Nozzle, 0.7 mm	10
	C106-408	.11.835.221.408	Z2008	Nozzle, 0.8 mm	10
	C106-410	.11.835.221.410	Z2010	Nozzle, 1.0 mm	10
6	C106-610	.11.835.411.610	Z2510	Nozzle, 1.0 mm	5
	C106-612	.11.835.411.612	Z2512	Nozzle, 1.2 mm	5
	C106-614	.11.835.411.614	Z2514	Nozzle, 1.4 mm	5
	C106-616	.11.835.411.616	Z2516	Nozzle, 1.6 mm	5
7	C106-153	.11.835.221.153	Z101	Gas guide cap, 0.4 mm	1
8	K106-253	.11.834.321.153	Z111	Gas guide cap	1
9	C106-303	.11.835.421.303	Z111A	Spacer	1
11	C106-101	.11.835.211.5101	Z042	Electrode	1
	C106-5101	.11.835.411.5101	Z052	Electrode	1

**Hypertherm technology –
SilverLine electrodes**

Maintenance items

	Centricut part number	Reference number	Alternate reference	Description	Pkg qty
	027055	N/A		Lubricant .25 oz. (7 ml) tube	1

*Centricut part features a unique Hypertherm design that differs from the OEM design.

Torch: PerCut 160/170®

Consumables – Carbon steel



	Centricut part number	Reference number	Alternate reference	Description	Pkg qty
1	C106-081	.11.835.201.081	Z501	Protection cap	1
2	C106-561	.11.835.201.1561	Z4015	Swirl gas cap, 1.5 mm	1
	C106-571	.11.835.201.1571	Z4020	Swirl gas cap, 2.0 mm	1
	C109-551	.11.835.201.1551	Z4022	Swirl gas cap, 2.2 mm	1
	C106-581	.11.835.201.1581	Z4025	Swirl gas cap, 2.5 mm	1
	C106-591	.11.835.201.1591	Z4030	Swirl gas cap, 3.0 mm	1
	C106-171	.11.835.401.1571	Z4140	Swirl gas cap, 4.0 mm	1
4	K109-160	.11.842.401.160	S3004	Nozzle cap, 0.4 mm	1
	C109-162	.11.842.401.162	S3008	Nozzle cap, 0.8 mm	1
	C109-622	.11.842.401.1622	S3028	Nozzle cap, 0.8 mm	1
5	C109-406	.11.843.021.406	S2006X	Nozzle, 0.6 mm, 25 amp	10
	C109-407	.11.843.021.407	S2007X	Nozzle, 0.7 mm, 35 amp	10
	C109-408	.11.843.021.408	S2008X	Nozzle, 0.8 mm, 50/60 amp	10
	C109-409	.11.843.021.409	S2009X	Nozzle, 0.9 mm, 70/80 amp	10
	C109-410	.11.843.021.410	S2010X	Nozzle, 1.0 mm, 80/90 amp	10
	C109-411	.11.843.021.411	S2011X	Nozzle, 1.1 mm, 90/100 amp	10
	C109-112	.11.843.121.412	S2112X	Nozzle, 1.2 mm, 100 amp	10
	C109-412	.11.843.021.412	S2012X	Nozzle, 1.2 mm, 100/130 amp	10
	C109-414	.11.843.021.414	S2014X	Nozzle, 1.4 mm, 130/160 amp	10
	C109-114	.11.843.121.414	S2114X	Nozzle, 1.4 mm, 130 amp	10
	C109-416	.11.843.021.416	S2016X	Nozzle, 1.6 mm, 160 amp	10
	C109-116	.11.843.121.416	S2116X	Nozzle, 1.6 mm, 160 amp	10
7	C106-153	.11.835.221.153	Z101	Gas guide cap, 0.4 mm	1
	C109-154	.11.835.221.154	Z102	Gas guide cap	1
8	K106-253	.11.834.321.153	Z111	Gas guide cap	1
9	C106-303	.11.835.421.303	Z111A	Spacer	1
10	C109-1010*	.11.843.021.310	S002X	SilverLine® electrode, XL	1
	C109-1030*	.11.843.121.310	S012X	SilverLine electrode, XL	1

Consumables – Stainless steel and aluminum

	Centricut part number	Reference number	Alternate reference	Description	Pkg qty
1	C106-081	.11.835.201.081	Z501	Protection cap	1
3	C106-1581	.11.835.411.1581	Z4530	Swirl gas cap, 3.0 mm	1
	C109-580	.11.835.411.1580	Z4535	Swirl gas cap, 3.5 mm	1
	C106-1591	.11.835.411.1591	Z4540	Swirl gas cap, 4.0 mm	1
	C109-590	.11.835.411.1590	Z4545	Swirl gas cap, 4.5 mm	1
4	C109-162	.11.842.401.162	S3008	Nozzle cap, 0.8 mm	1
	C109-621	.11.842.401.1621	Z3018	Nozzle cap, 0.8 mm	1
6	C109-407	.11.843.021.407	S2007X	Nozzle, 0.7 mm, 35 amp	10
	C109-408	.11.843.021.408	S2008X	Nozzle, 0.8 mm, 50/60 amp	10
	C109-614	.11.843.111.614	S2514X	Nozzle, 1.4 mm, 120 amp	5
	C109-616	.11.843.111.616	S2516X	Nozzle, 1.6 mm, 140 amp	5
	C109-618	.11.843.111.618	S2518X	Nozzle, 1.8 mm, 160 amp	5
7	C106-153	.11.835.221.153	Z101	Gas guide cap, 0.4 mm	1
8	K106-253	.11.834.321.153	Z111	Gas guide cap	1
11	C109-510	.11.842.411.510	S042	Electrode	1
	C109-1510	.11.842.511.510	S052	Electrode	1

Maintenance items

	Centricut part number	Reference number	Alternate reference	Description	Pkg qty
	K109-152	.11.842.401.152	S901	Cooling tube	1
	O27055	N/A		Lubricant .25 oz. (7 ml) tube	1

*Centricut part features a unique Hypertherm design that differs from the OEM design.

Centricut and SilverLine are registered trademarks of Hypertherm, Inc. and may be registered in the United States and/or other countries. All other trademarks are the properties of their respective owners. Centricut is in no way affiliated with Kjellberg.

**Hypertherm technology –
SilverLine electrodes**

New consumables for Kjellberg® PerCut 210M torch

Centricut consumables lower your cost of cutting and deliver excellent cut speeds and cut quality. Fit all versions of the PerCut 210M torch.

- Equal performance to Kjellberg at a lower price
- Critical to function tolerances and precision manufacturing guarantee consistency of parts set to set
- No special system set up required and Centricut parts fit all PerCut 210M torch designs
- Consumables available for Kjellberg Contour Cut™ processes



Torch: PerCut 210M®

Consumables – Carbon steel



	Centricut part number	Reference number	Alternate reference	Description	Pkg qty
1	C124-081	.11.848.201.081	G501	Protection cap, 20–200 amp	1
2	C124-520	.11.848.201.1520	G4020	Swirl gas cap, 60 amp	1
	C124-525	.11.848.201.1525	G4025	Swirl gas cap, 90–130 amp	1
	C124-530	.11.848.201.1530	G4030	Swirl gas cap, 90–200 amp	1
	C124-535	.11.848.201.1535	G4035	Swirl gas cap, 200 amp, Contour Cut™	1
	C124-540	.11.848.201.1540	G4040	Swirl gas cap, 200 amp, Contour Cut™	1
3	C124-628	.11.848.201.1628	G3028	Nozzle cap, 60–200 amp	1
4	C124-408*	.11.848.221.408	G2008Y	CoolFlow™ nozzle, 60 amp	1
	C124-410*	.11.848.221.410	G2010Y	CoolFlow nozzle, 90 amp	1
	C124-412*	.11.848.221.412	G2012Y	CoolFlow nozzle, 130 amp	1
	C124-414*	.11.848.221.414	G2014Y	CoolFlow nozzle, 160 amp	1
	C124-417*	.11.848.221.417	G2017Y	CoolFlow nozzle, 200 amp	1
5	C124-145	.11.848.221.145	G101	Gas guide, Low amperage and Contour Cut™	1
	C124-146	.11.848.221.146	G102	Gas guide, 60–200 amp	1
6	C124-1000*	.11.848.221.300	G002Y	SilverLine® electrode, 20–200 amp	1
	C124-142	.11.848.201.142	G901Y	Cooling tube, 20–200 amp	1

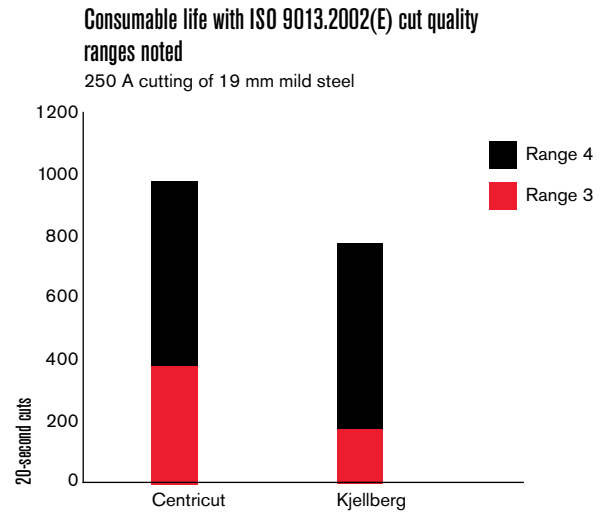
*Centricut part features a unique Hypertherm design that differs from the OEM design.



Enhanced consumables for Kjellebrg® PerCut 370 torches

Centricut consumables offer longer life compared to Kjellberg Yellow X-Life consumables while delivering excellent quality and productivity.

- 25% longer consumable life compared to Kjellberg Yellow XLife on mild steel
- Speed and cut quality equal to Kjellberg
- High-quality parts – set to set consistency
- Full product line including consumables for mild steel and stainless steel cutting



Mild steel and stainless steel cutting consumables for HiFocus 280i/360i/440i.

Torch: PerCut 370.1®

Consumables – Carbon steel

	Centricut part number	Reference number	Alternate reference	Description	Pkg qty
1	C106-081	.11.835.201.081	Z501	Protection cap	1
2	C106-561	.11.835.201.1561	Z4015	Swirl gas cap, 1.5 mm	1
	C106-571	.11.835.201.1571	Z4020	Swirl gas cap, 2.0 mm	1
	C109-551	.11.835.201.1551	Z4022	Swirl gas cap, 2.2 mm	1
	C106-581	.11.835.201.1581	Z4025	Swirl gas cap, 2.5 mm	1
	C106-591	.11.835.201.1591	Z4030	Swirl gas cap, 3.0 mm	1
	C106-171	.11.835.401.1571	Z4140	Swirl gas cap, 4.0 mm	1
	C106-1591	.11.835.411.1591	Z4540	Swirl gas cap, 4.0 mm	1
4	K109-160	.11.842.401.160	S3004	Nozzle cap, 0.4 mm	1
	C109-622	.11.842.401.1622	S3028	Nozzle cap, 0.8 mm	1
5	C109-406	.11.843.021.406	S2006X	Nozzle, 0.6 mm, 25 amp	10
	C109-407	.11.843.021.407	S2007X	Nozzle, 0.7 mm, 35 amp	10
	C109-408	.11.843.021.408	S2008X	Nozzle, 0.8 mm, 50/60 amp	10
	C109-409	.11.843.021.409	S2009X	Nozzle, 0.9 mm, 70/80 amp	10
	C109-410	.11.843.021.410	S2010X	Nozzle, 1.0 mm, 80/90 amp	10
	C109-411	.11.843.021.411	S2011X	Nozzle, 1.1 mm, 90/100 amp	10
	C109-112	.11.843.121.412	S2112X	Nozzle, 1.2 mm, 100 amp	10
	C109-412	.11.843.021.412	S2012X	Nozzle, 1.2 mm, 100/130 amp	10
	C109-114	.11.843.121.414	S2114X	Nozzle, 1.4 mm, 130 amp	10
	C109-414	.11.843.021.414	S2014X	Nozzle, 1.4 mm, 130/160 amp	10
	C109-416	.11.843.021.416	S2016X	Nozzle, 1.6 mm, 160 amp	10
	C109-116	.11.843.121.416	S2116X	Nozzle, 1.6 mm, 160 amp	10
7	C106-153	.11.835.221.153	Z101	Gas guide cap, 0.4 mm	1
	C109-154	.11.835.221.154	Z102	Gas guide cap, 0.4 mm	1
8	K106-253	.11.834.321.153	Z111	Gas guide cap	1
9	C106-303	.11.835.421.303	Z111A	Spacer	1
10	C109-1010*	.11.843.021.310	S002X	SilverLine® electrode, XL	1
	C109-1030*	.11.843.121.310	S012X	SilverLine electrode, XL	1
	K109-152	.11.842.401.152	S901	Cooling tube	1

Consumables – Stainless steel and aluminum

	Centricut part number	Reference number	Alternate reference	Description	Pkg qty
1	C106-081	.11.835.201.081	Z501	Protection cap	1
2	C106-571	.11.835.201.1571	Z4020	Swirl gas cap, 2.0 mm	1
3	C106-1581	.11.835.411.1581	Z4530	Swirl gas cap, 3.0 mm	1
	C109-580	.11.835.411.1580	Z4535	Swirl gas cap, 3.5 mm	1
	C106-1591	.11.835.411.1591	Z4540	Swirl gas cap, 4.0 mm	1
	C109-590	.11.835.411.1590	Z4545	Swirl gas cap, 4.5 mm	1
	C53-158	.11.833.101.158	V4350	Swirl gas cap, 5.0 mm	1
4	K109-160	.11.842.401.160	S3004	Nozzle cap, 0.4 mm	1
	C109-162	.11.842.401.162	S3008	Nozzle cap, 0.8 mm	1
	C109-621	.11.842.401.1621	S3018	Nozzle cap, 0.8 mm	1
5	C109-407	.11.843.021.407	S2007X	Nozzle, 0.7 mm, 35 amp	10
	C109-408	.11.843.021.408	S2008X	Nozzle, 0.8 mm, 50/60 amp	10
6	C109-614	.11.843.111.614	S2514X	Nozzle, 1.4 mm, 120 amp	5
	C109-616	.11.843.111.616	S2516X	Nozzle, 1.6 mm, 140 amp	5
	C109-618	.11.843.111.618	S2518X	Nozzle, 1.8 mm, 160 amp	5
8	K106-253	.11.834.321.153	Z111	Gas guide cap	1
7	C106-153	.11.835.221.153	Z101	Gas guide cap, 0.4 mm	1
11	C109-510	.11.842.411.510	S042	Electrode	1
	C109-1510	.11.842.511.510	S052	Electrode	1
	K109-152	.11.842.401.152	S901	Cooling tube	1



**Hypertherm technology –
SilverLine electrodes**

Torch: PerCut 370.2®

Consumables – Carbon steel

	Centricut part number	Reference number	Alternate reference	Description	Pkg qty
1	C117-155	.11.833.101.155	V4335	Swirl gas cap, 3.5 mm	1
	C117-157	.11.833.101.157	V4345	Swirl gas cap, 4.5 mm	1
2	C117-081	.11.841.721.081	T502	Protection cap	1
4	C117-0271	.11.836.921.271	T522	Swirl gas nozzle	1
6	C117-163	.11.836.901.163	T3030	Nozzle cap	1
	C117-164	.11.836.901.164	T3045	Nozzle cap	1
	C117-165	.11.836.901.165	T3060	Nozzle cap	1
8	C117-015*	.11.846.921.415	T2115Y	CoolFlow™ nozzle, 1.5 mm, 120 amp	1
	C117-020*	.11.846.921.420	T2120Y	CoolFlow nozzle, 2.0 mm, 200 amp	1
	C117-025*	.11.846.921.425	T2125Y	CoolFlow nozzle, 2.5 mm, 250 amp	1
	C117-027*	.11.846.921.427	T2127Y	CoolFlow nozzle, 2.7 mm, 300 amp	1
10	C117-030*	.11.846.921.430	T2130Y	CoolFlow nozzle, 3.0 mm, 360 amp	1
	C117-153	.11.836.921.153	T101	Gas guide	1
	C117-154	.11.836.921.154	T102	Gas guide	1
	C117-542	.11.836.921.1542	T104	Gas guide	1
11	C117-1000*	.11.844.921.300	T012Y	SilverLine® electrode, O ₂ /Air	1

Consumables – Stainless steel and aluminum

	Centricut part number	Reference number	Alternate reference	Description	Pkg qty
1	C117-550	.11.833.101.1550	V4330	Swirl gas cap, 3.0 mm	1
	C117-156	.11.833.101.156	V4340	Swirl gas cap, 4.0 mm	1
	C117-157	.11.833.101.157	V4345	Swirl gas cap, 4.5 mm	1
	C53-158	.11.833.101.158	V4350	Swirl gas cap, 5.0 mm	1
	C117-159	.11.833.101.159	V4360	Swirl gas cap, 6.0 mm	1
5	C117-540	.11.846.901.1540	T4040	Swirl gas cap	1
	C117-545	.11.846.901.1545	T4045	Swirl gas cap	1
	C117-1550	.11.846.901.1550	T4050	Swirl gas cap	1
2	C117-081	.11.841.721.081	T502	Protection cap	1
3	C117-1081	.11.846.901.081	T503	Protection cap	1
4	C117-0271	.11.836.921.271	T522	Swirl gas nozzle	1
6	C117-160	.11.836.901.160	T3000	Nozzle cap	1
	C117-608	.11.846.901.1608	T3208	Nozzle cap	1
	C117-609	.11.846.901.1609	T3209	Nozzle cap	1
	C117-619	.11.846.901.1619	T3219	Nozzle cap	1
	C117-628	.11.846.901.1628	T3228	Nozzle cap	1
9	C117-623*	.11.836.911.623	T2523	CoolFlow™ nozzle, 2.3 mm, 250 amp	1
	C117-625*	.11.836.911.625	T2525	CoolFlow nozzle, 2.5 mm, 280 amp	1
	C117-627*	.11.846.911.627	T2427	CoolFlow nozzle, 2.7 mm, 360 amp	1
	C117-629*	.11.846.911.629	T2429	CoolFlow nozzle, 2.9 mm, 440 amp	1
12	C117-500	.11.836.911.500	T051	Electrode, ArH ₂	1

Maintenance Items

	Centricut part number	Reference number	Alternate reference	Description	Pkg qty
	C117-152	.11.844.901.152	T902Y	Cooling tube (carbon steel)	1
	C117-230	.11.828.911.230	V951	Cooling tube (stainless steel and aluminum)	1
	027055	N/A		Lubricant .25 oz. (7 ml) tube	1

*Centricut part features a unique Hypertherm design that differs from the OEM design.

**Hypertherm technology –
SilverLine electrodes and
CoolFlow™ nozzles**

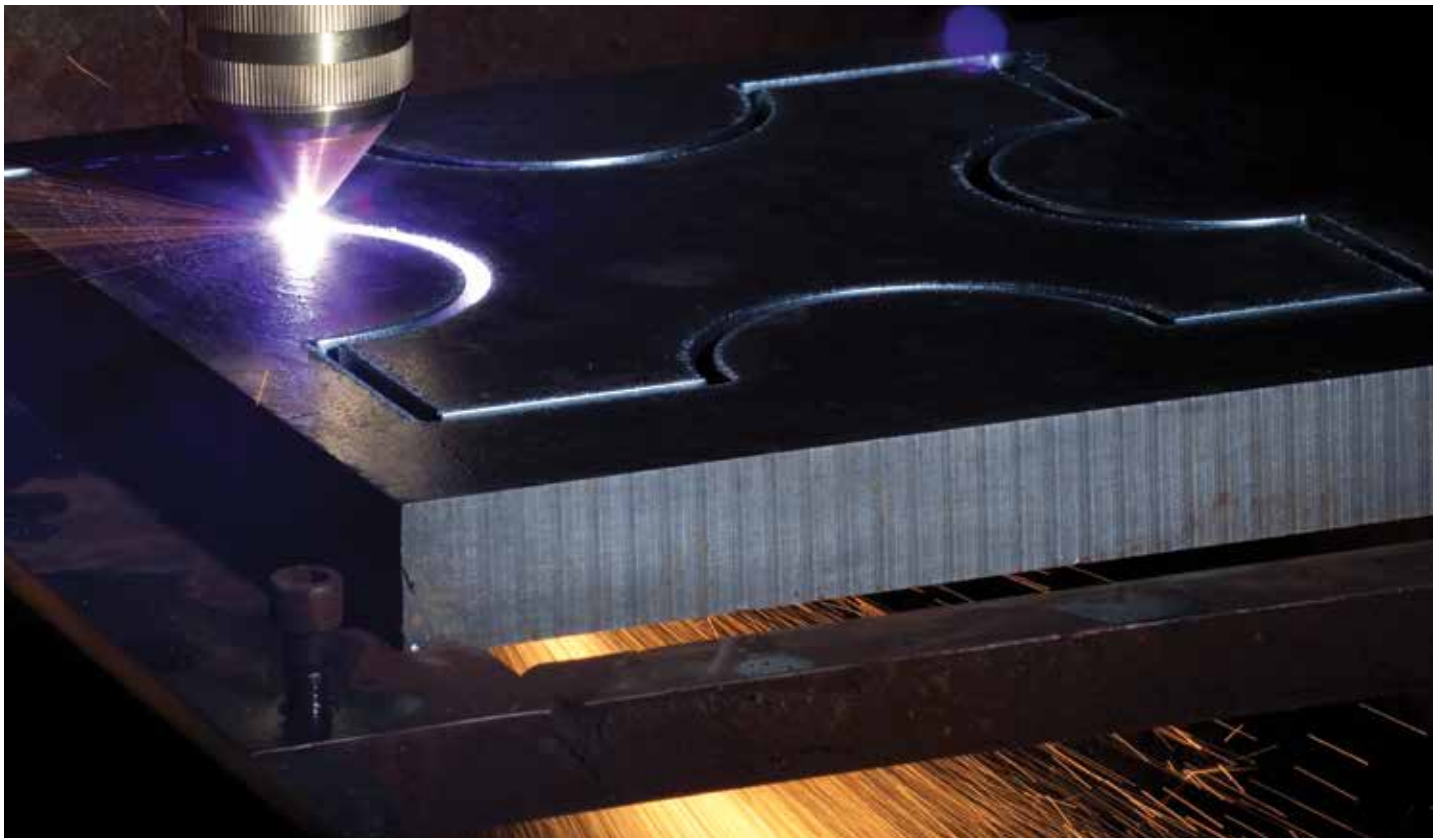
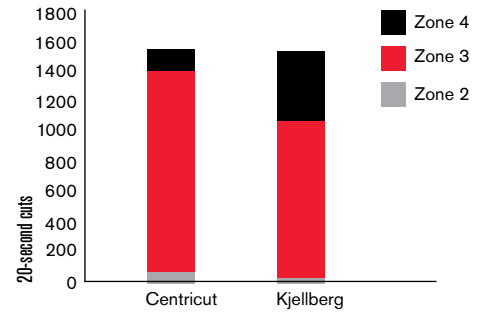
New consumables for Kjellberg® PerCut 450M® torch

Centricut consumables lower your cost of cutting and deliver excellent cut speeds and cut quality. Fit all versions of the PerCut 450M torch.

- Equal performance to Kjellberg at a lower price
- Improved cut quality over the life of the consumables at 280A
- Critical to function tolerances and precision manufacturing guarantee consistency of parts set to set
- No special system set up required and Centricut parts fit all PerCut 450M torch designs
- Consumables available for Kjellberg Contour Cut™ processes

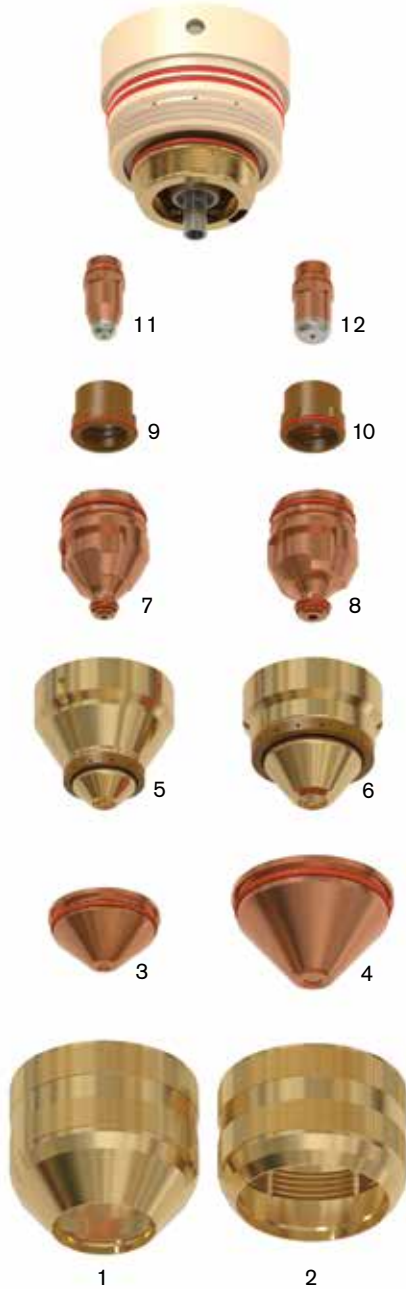
Consumable life with ISO 9013.2002(E) cut quality ranges noted

280 A cutting of 19 mm mild steel



Torch: PerCut 450M®

Consumables – Carbon steel



	Centricut part number	Reference number	Alternate reference	Description	Pkg qty
1	C124-081	.11.848.201.081	G501	Protection cap, 20–200 amp	1
2	C124-1081	.11.848.401.081	G521	Protection cap, 280–440 amp	1
3	C124-520	.11.848.201.1520	G4020	Swirl gas cap, 60 amp	1
	C124-525	.11.848.201.1525	G4025	Swirl gas cap, 90–130 amp	1
	C124-530	.11.848.201.1530	G4030	Swirl gas cap, 90–200 amp	1
	C124-535	.11.848.201.1535	G4035	Swirl gas cap, 200 amp, Contour Cut™	1
	C124-540	.11.848.201.1540	G4040	Swirl gas cap, 200 amp, Contour Cut™	1
4	C124-550	.11.848.401.1550	G4350	Swirl gas cap, 280–360 amp	1
	C124-555	.11.848.401.1555	G4355	Swirl gas cap, 360 amp	1
	C124-628	.11.848.201.1628	G3028	Nozzle cap, 60–200 amp	1
5	C124-609	.11.848.401.1609	G3209	Nozzle cap, 360 amp	1
	C124-619	.11.848.401.1619	G3219	Nozzle cap, 280–360 amp	1
	C124-629	.11.848.401.1629	G3229	Nozzle cap, 360 amp	1
6	C124-649	.11.848.401.1649	G3249	Nozzle cap, 280 amp	1
	C124-408*	.11.848.221.408	G2008Y	CoolFlow™ nozzle, 60 amp	1
	C124-410*	.11.848.221.410	G2010Y	CoolFlow nozzle, 90 amp	1
	C124-412*	.11.848.221.412	G2012Y	CoolFlow nozzle, 130 amp	1
	C124-414*	.11.848.221.414	G2014Y	CoolFlow nozzle, 160 amp	1
7	C124-417*	.11.848.221.417	G2017Y	CoolFlow nozzle, 200 amp	1
	C124-426*	.11.848.421.426	G2326Y	CoolFlow nozzle, 280 amp	1
	C124-430*	.11.848.421.430	G2330Y	CoolFlow nozzle, 360 amp	1
8	C124-145	.11.848.221.145	G101	Gas guide, Low amperage and Contour Cut™	1
	C124-146	.11.848.221.146	G102	Gas guide, 60–200 amp	1
9	C124-045	.11.848.421.145	G121	Gas guide, 280–400 amp	1
	C124-1000*	.11.848.221.300	G002Y	SilverLine® electrode, 20–200 amp	1
10	C124-1010*	.11.848.421.310	G032Y	SilverLine electrode, 280 amp	1
	C124-1030*	.11.848.421.330	G034Y	SilverLine electrode, 360 amp	1
	C124-142	.11.848.201.142	G901Y	Cooling tube, 20–200 amp	1
11	C124-042	.11.848.401.142	G931Y	Cooling tube, 280–400 amp	1

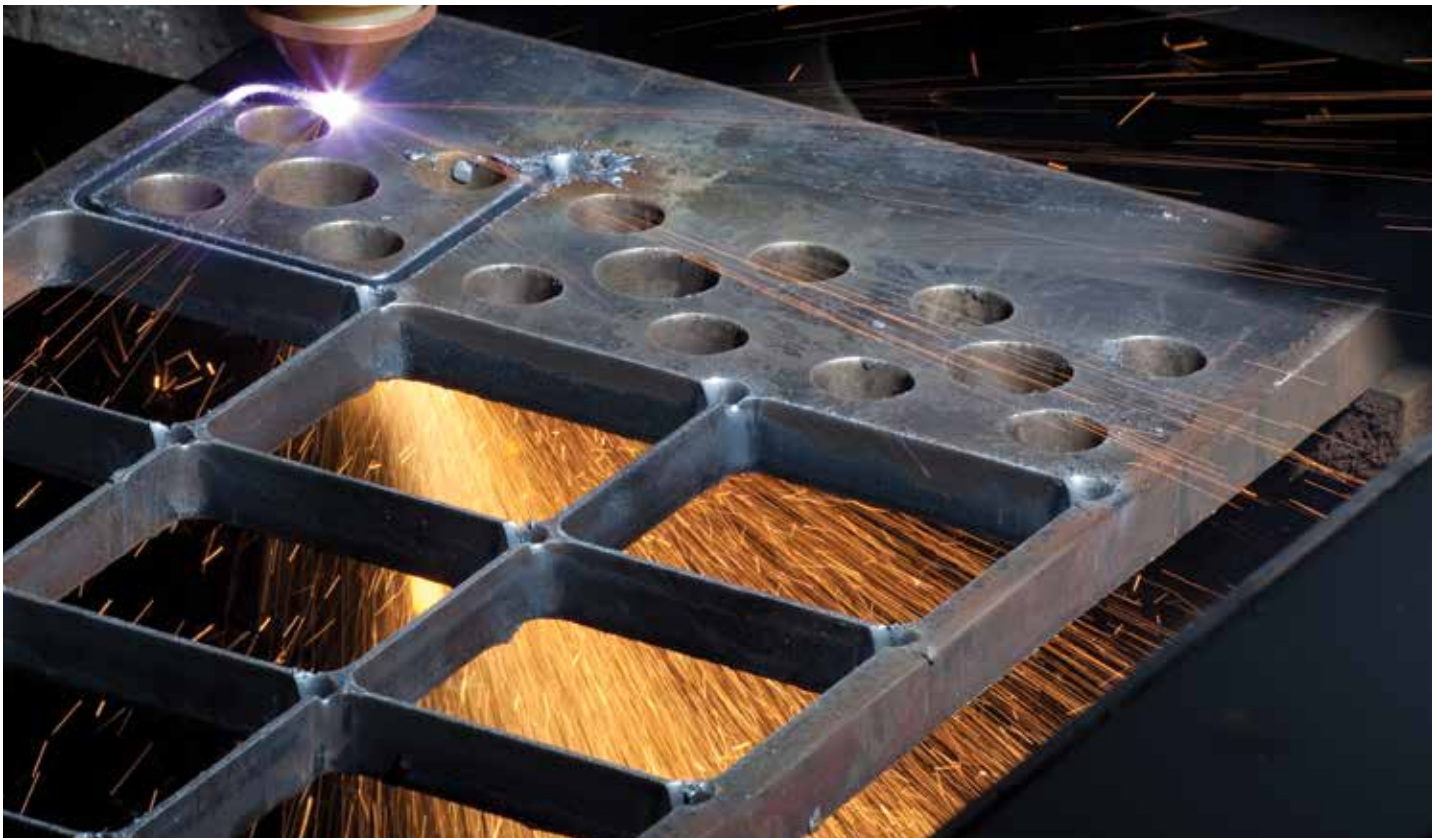
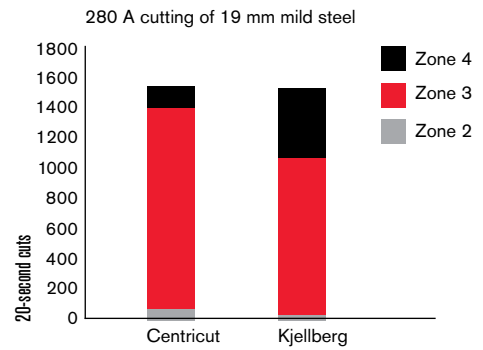
*Centricut part features a unique Hypertherm design that differs from the OEM design.

Enhancements for Kjellberg® PB-S80 torch

Centricut consumables lower your cost of cutting without sacrificing cut quality or productivity.

- 25% longer consumable life compared to Kjellberg Yellow XLife on mild steel
- Speed and cut quality equal to Kjellberg
- High quality parts – set to set consistency
- Full product line featuring consumables for both mild steel and stainless steel cutting

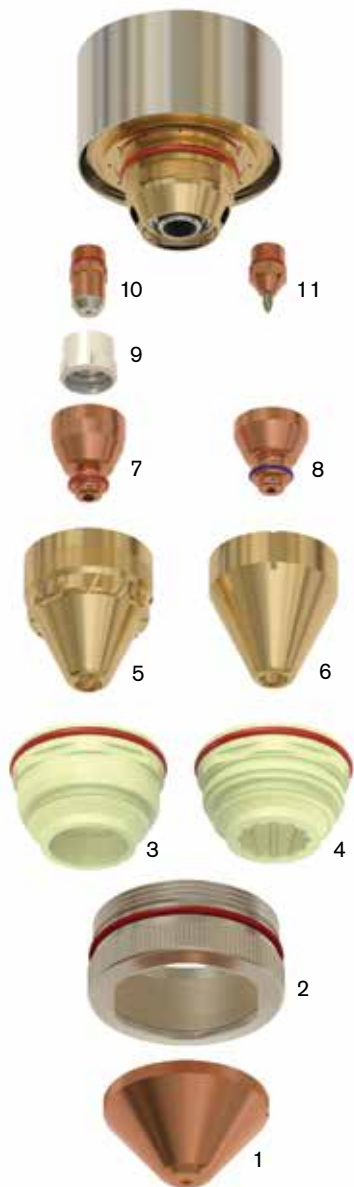
Consumable life with ISO 9013.2002(E) cut quality ranges noted



Torch: PB-S80

Consumables – Carbon Steel (O₂)

	Centricut part number	Reference number	Alternate reference	Description	Pkg qty
1	C117-155	.11.833.101.155	V4335	Swirl gas cap, 3.5 mm	1
	C117-157	.11.833.101.157	V4345	Swirl gas cap, 4.5 mm	1
2	C53-261	.11.833.101.261	V501	Protective cap	1
	C117-261	.11.833.121.261	V502	Protective cap	1
3	C117-271	.11.836.901.271	T521	Swirl gas nozzle	1
	C117-0271	.11.836.921.271	T522	Swirl gas nozzle	1
	C117-1271	.11.833.121.271	V522	Swirl gas nozzle	1
5	C117-163	.11.836.901.163	T3030	Nozzle cap	1
	C117-164	.11.836.901.164	T3045	Nozzle cap	1
	C117-165	.11.836.901.165	T3060	Nozzle cap	1
7	C117-015*	.11.846.921.415	T2115Y	CoolFlow™ nozzle, 1.5 mm, 120 amp	1
	C117-020*	.11.846.921.420	T2120Y	CoolFlow nozzle, 2.0 mm, 200 amp	1
	C117-025*	.11.846.921.425	T2125Y	CoolFlow nozzle, 2.5 mm, 250 amp	1
	C117-027*	.11.846.921.427	T2127Y	CoolFlow nozzle, 2.7 mm, 300 amp	1
	C117-030*	.11.846.921.430	T2130Y	CoolFlow nozzle, 3.0 mm, 360 amp	1
9	C117-153	.11.836.921.153	T101	Gas guide	1
	C117-154	.11.836.921.154	T102	Gas guide	1
	C117-542	.11.836.921.1542	T104	Gas guide	1
10	C117-1000*	.11.844.921.300	T012Y	SilverLine® electrode	1
	C117-152	.11.844.901.152	T902Y	Water tube	1



**Hypertherm technology –
SilverLine electrodes and
CoolFlow™ nozzles**

Consumables – Carbon Steel/Stainless Steel (Air)

	Centricut part number	Reference number	Alternate reference	Description	Pkg qty
1	C53-158	.11.833.101.158	V4350	Swirl gas cap, 5.0	1
2	C117-261	.11.833.121.261	V502	Protective cap	1
	C117-081	.11.841.721.081	T502	Protective cap	1
4	C117-1271	.11.833.121.271	V522	Swirl gas nozzle	1
6	C53-790	.12.37790	V3000	Nozzle cap	1
	C53-850	.12.40850	L2	Nozzle, 250 amp	5
	C53-860	.12.40860	V101	Gas guide	5
	C53-870	.12.40870	K2	Electrode, Air	5
	K53-440	.12.51440	V931	Cooling tube, PB-S75, Air	1

Consumables – Stainless Steel/Aluminum (ArH₂)

	Centricut part number	Reference number	Alternate reference	Description	Pkg qty
1	C117-550	.11.833.101.1550	V4330	Swirl gas cap, 3.0 mm	1
	C117-155	.11.833.101.155	V4335	Swirl gas cap, 3.5 mm	1
	C117-156	.11.833.101.156	V4340	Swirl gas cap, 4.0 mm	1
	C117-157	.11.833.101.157	V4345	Swirl gas cap, 4.5 mm	1
	C53-158	.11.833.101.158	V4350	Swirl gas cap, 5.0 mm	1
	C117-159	.11.833.101.159	V4360	Swirl gas cap, 6.0 mm	1
2	C117-261	.11.833.121.261	V502	Protective cap	1
	C117-081	.11.841.721.081	T502	Protective cap	1
4	C117-1271	.11.833.121.271	V522	Swirl gas nozzle	1
6	C53-790	.12.37790	V3000	Nozzle cap	1
8	C117-780*	.12.37780	A1	CoolFlow™ nozzle, 1.5 mm, 120 amp, ArH ₂	1
	C117-620*	.11.828.511.620	A3	CoolFlow nozzle, 2.0 mm, 180 amp, ArH ₂	1
	C117-910*	.12.40910	A2	CoolFlow nozzle, 2.3 mm, 300 amp, ArH ₂	1
11	C117-0550	.11.828.911.550	K5	Electrode, ArH ₂	1
	C117-230	.11.828.911.230	V951	Cooling tube	1

Maintenance items

	Centricut part number	Reference number	Alternate reference	Description	Pkg qty
	027055	N/A		O-ring lube	1

Centricut, CoolFlow and SilverLine are registered trademarks of Hypertherm, Inc. and may be registered in the United States and/or other countries. All other trademarks are the properties of their respective owners. Centricut is in no way affiliated with Kjellberg.

Torch: PB-S70/75/77®

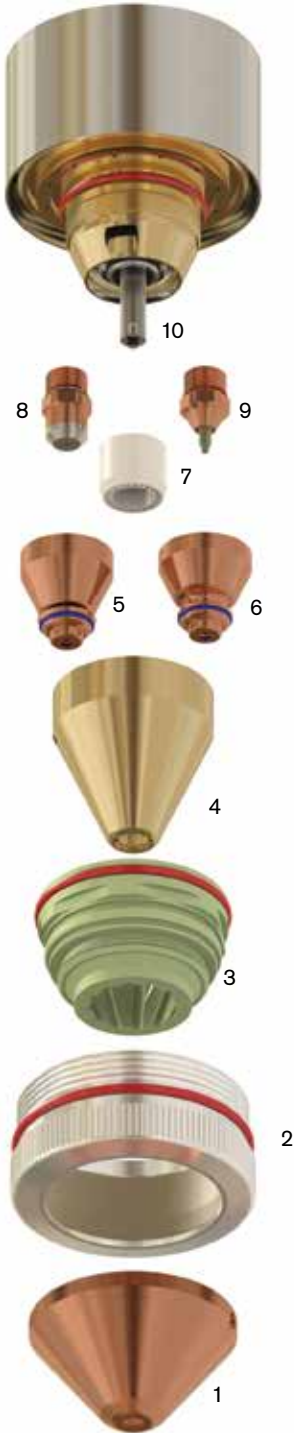
Consumables

	Centricut part number	Reference number	Alternate reference	Description	Pkg qty
1	K53-1156	.11.833.111.156	V4540	Swirl gas cap, 4.0 mm	1
	C53-158	.11.833.101.158	V4350	Swirl gas cap, 5.0 mm	1
2	C53-261	.11.833.101.261	V501	Protection cap	1
	K53-160	.11.828.701.160		Protection cap, PB-S75	1
3	K53-271	.11.833.101.271	V521	Swirl gas nozzle	1
	C53-790	.12.37790	V3000	Nozzle cap	1
5	C53-920*	.11.828.901.420	L1-XL	CoolFlow™ nozzle, 160 amp	1
	C53-925*	.11.828.901.425	L2-XL	CoolFlow nozzle, 250 amp	1
	C53-927*	.11.828.901.427	L4-XL	CoolFlow nozzle, 300 amp	1
	C53-050	.12.43050	L1	Nozzle, 160 amp, Air	5
5	C53-850	.12.40850	L2	Nozzle, 250 amp, Air	5
	6	C117-780*	.12.37780	A1	CoolFlow, nozzle, 1.5 mm, 120 amp, ArH ₂
C117-620*		.11.828.511.620	A3	CoolFlow, nozzle, 2.0 mm, 180 amp, ArH ₂	1
C117-910*		.12.40910	A2	CoolFlow, nozzle, 2.3 mm, 300 amp, ArH ₂	1
7	C53-860	.12.40860	V101	Gas guide	1
8	C53-1000*	.11.828.921.300	K2-XL	SilverLine® electrode, O ₂	1
	C53-870	.12.40870	K2	Electrode, Air	5
9	C117-0550	.11.828.911.550	K5	Electrode, ArH ₂	1

Maintenance items

	Centricut part number	Reference number	Alternate reference	Description	Pkg qty
	K53-923	.10.505.923		O-ring, nozzle cap/torch seal, 28x2 mm	1
	K53-908	.10.505.908		O-ring, nozzle/torch, 18x2 mm	1
10	C117-230	.11.828.911.230		Cooling tube PB-S75 ArH ₂	
	K53-440	.12.51440	V931	Cooling tube, PB-S75, Air	1
	K53-500	.12.48500		Removal tool, nozzle cap	1
	C23-001	N/A		Removal tool, swirl ring	1
	027055			Lubricant .25 oz. (7 ml) tube	1

*Centricut part features a unique Hypertherm design that differs from the OEM design.



**Hypertherm technology –
SilverLine electrodes and
CoolFlow™ nozzles**

System: Super-400 Plus®

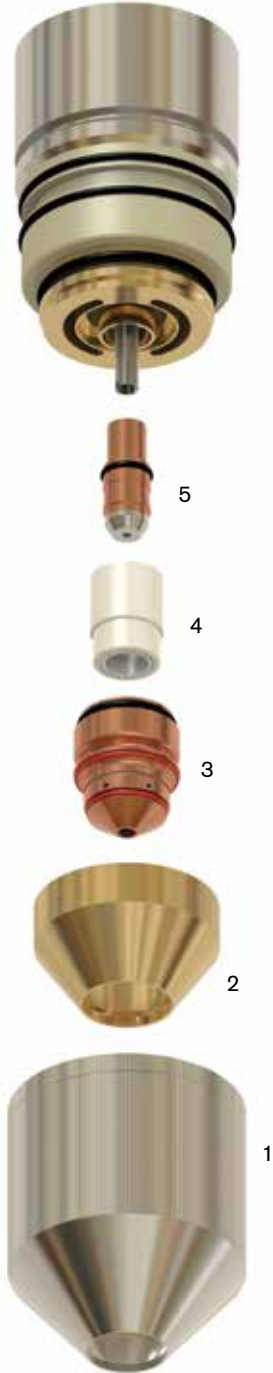
Consumables

	Centricut part number	Reference number	Description	Pkg qty
1	C121-503	40020503	Protection cap	1
2	C121-366	40016366	Shield	1
3	C121-359*	40016359	CoolFlow™ nozzle, 1.7R	1
	C121-362*	40016362	CoolFlow nozzle, 1.7L	1
	C121-360*	40016360	CoolFlow nozzle, 2.3R	1
	C121-363*	40016363	CoolFlow nozzle, 2.3L	1
	C121-233*	40017233	CoolFlow nozzle, 2.9R	1
	C121-234*	40017234	CoolFlow nozzle, 2.9L	1
4	C121-899	40001899	Swirl ring, R	1
	C121-567	40004567	Swirl ring, L	1
5	C121-1058*	40016358	SilverLine® electrode	1

Maintenance items

	Centricut part number	Reference number	Description	Pkg qty
	027055	N/A	Lubricant .25 oz. (7 ml) tube	1

*Centricut part features a unique Hypertherm design that differs from the OEM design.



**Hypertherm technology –
SilverLine electrodes and
CoolFlow™ nozzles**

System: Razor® 40 amp

Consumables

	Centricut part number	Reference number	Description	Pkg qty
	C33-008T	N/A	Cap #1 with tab	1
1	C33-008	65-0432-001	Cap #1	1
2	C33-140	65-0432-003	CoolFlow™ nozzle, O ₂ , 0.4 mm	5
	C33-130	65-0432-002	CoolFlow nozzle, O ₂ , 0.6 mm	5
	C33-160	65-0432-013	CoolFlow nozzle, O ₂ , 0.7 mm	5
3	C33-006	65-0432-006	Swirler, standard, CCW	1
	C33-066	65-0432-066	Swirler, reverse, CW	1
4	C33-021	65-0432-021	Ceramic guide	1
5	C33-930	65-0432-005	Electrode with o-ring	5

Maintenance items

	Centricut part number	Reference number	Description	Pkg qty
	C33-007	65-0432-007	O-ring kit	3
	K33-010	969-94-41010	Razor 40 torch body	1
	K33-420	65-0432-020	Razor 40 torch body with 1.8 mm leads	1
	L70-765	21765	Nozzle removal tool	1
	027055	N/A	Lubricant .25 oz. (7 ml) tube	1

*Centricut part features a unique Hypertherm design that differs from the OEM design.



**Hypertherm technology –
CoolFlow™ nozzles**

System: Razor® 90/120 amp

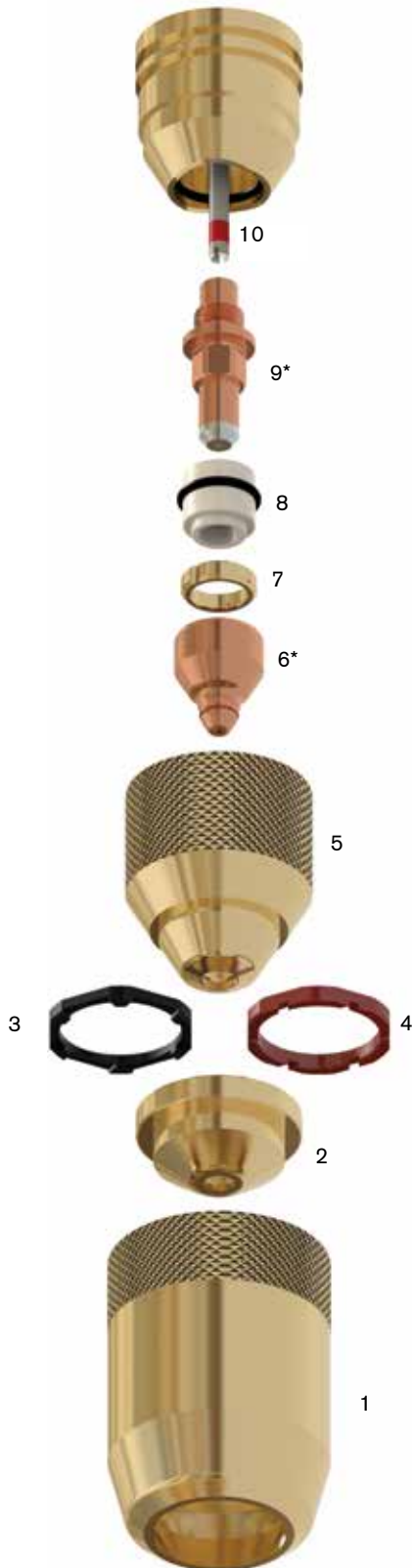
Consumables

	Centricut part number	Reference number	Description	Pkg qty
1	C35-016	65-0434-016	Cap #2	1
2	C35-019	65-0434-019	Shield cap, 90 amp	1
	C35-905	65-0442-005	Shield cap, 120 amp	1
	C35-004	65-0438-004	Shield cap, quicksilver	1
3	C35-540	65-0434-022	Spacer ring, 90 amp	1
4	C35-250	65-0442-004	Spacer ring, 120 amp	1
5	C35-015	65-0434-015	Cap #1	1
	C35-020	65-0438-005	Cap #2, quick silver	1
6	C35-160	65-0434-017	CoolFlow™ nozzle, O ₂ , 0.8 mm	5
	C35-180	65-0434-007	CoolFlow nozzle, O ₂ , 1.1 mm	5
	C35-002	65-0442-002	CoolFlow nozzle, O ₂ , 1.3 mm	5
	C35-8002	65-0438-002	CoolFlow nozzle, "S", 0.8 mm, quicksilver	5
	C35-8003	65-0438-003	CoolFlow nozzle, "S", 1.1 mm, quicksilver	5
7	C35-018	65-0434-018	Swirler, 90 amp, CCW	1
	C35-003	65-0442-003	Swirler, 120 amp, CW	1
8	C35-350	65-0434-020	Ceramic guide with o-ring	1
9	C35-1020*	65-0442-001	SilverLine® electrode, 90-120 amp	1

Maintenance items

	Centricut part number	Reference number	Description	Pkg qty
10	C35-110	65-0442-009	Cooling tube, 90/120 amp	1
	K35-021	65-0434-021	O-ring kit	1
	K35-006	65-0442-006	Razor 90/120 torch body without o-rings	1
	K35-690	969-94-49690	Razor 90/120 torch body with 6' leads	1
	027055	N/A	Lubricant .25 oz. (7 ml) tube	1

*Centricut part features a unique Hypertherm design that differs from the OEM design.



**Hypertherm technology –
SilverLine electrodes and
CoolFlow™ nozzles**

System: Razor®300 amp

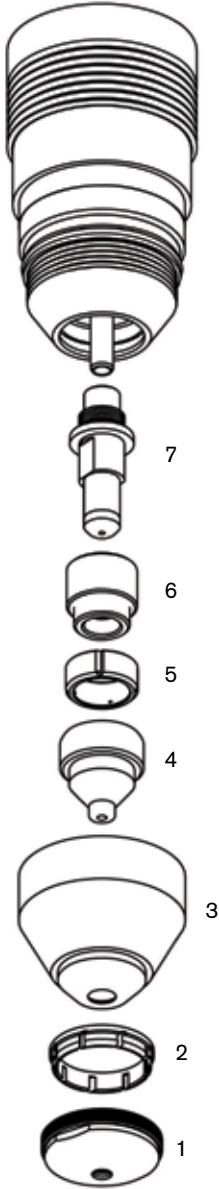
Consumables

	Centricut part number	Reference number	Description	Pkg qty
1	C78-130	969-95-30130	Shield cap	1
2	C78-190	969-95-30190	Shield ring	1
3	C78-120	969-95-30210	Inner cap	1
4	C78-150	969-95-30150	Nozzle, 1.2 mm, 100 amp	1
	C78-220	969-95-30220	Nozzle, 2.2 mm, 200 amp	1
	C78-280	969-95-30140	Nozzle, 2.8 mm, 300 amp	1
5	C78-181	969-95-30181	Swirler	1
6	C78-171	969-95-30171	Guide, ceramic, 300 amp	1
7	C78-1060*	969-95-30160	SilverLine® electrode, 300 amp	1

Maintenance items

	Centricut part number	Reference number	Description	Pkg qty
	027055	N/A	Lubricant .25 oz. (7 ml) tube	1

*Centricut part features a unique Hypertherm design that differs from the OEM design.



**Hypertherm technology -
SilverLine electrodes**

System: PAK® 3XR™, 5XR™, 5Xi™, 6XR™, 625XR™, 750XR™, Dynapak 4Xi, 6Xi

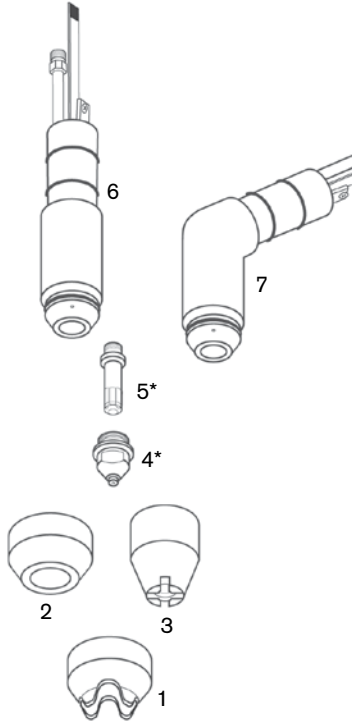
Consumables

	Centricut part number	Reference number	Description	Pkg qty
1	T06-779	9-5779	Crown cup, copper long, use with C06-781	1
	C07-780	9-5780	Crown cup, copper short, use with C07-781	1
2	C06-630	9-5630	Shield cup, ceramic	5
	C06-526	8-5526	Crown cup, ceramic	5
4	C06-781	8-2159	Shield cup, shatter proof	5
	C06-631*	9-5631	Tip, chrome, .043, 55 amp	10
	C06-031*	N/A	Tip, copper, .043, 55 amp	10
	C06-718*	9-5718	Tip, chrome, .038, 35 amp	5
	C06-321	8-3321	Tip, chrome, .047, 70 amp	5
	C06-724	9-5724	Tip, chrome, gouging, .078	5
5	C06-633*	9-5633	Electrode, chrome	10
	C06-033*	N/A	Electrode, copper	10

Maintenance items

	Centricut part number	Reference number	Description	Pkg qty
6	C06-634	9-5634	PCM-51 torch body	1
7	C06-635	9-5635	PCH-51 torch body, 70°	1
	C06-901	N/A	Bottoming tap, 7/16 in-28, tip	1
	C06-902	N/A	Bottoming tap, 1/4 in-28, electrode	1
	C06-525	8-5525	O-ring	5
	C08-010	N/A	Ball casters	5
	Q27055	N/A	Lubricant .25 oz. (7 ml) tube	1

*Centricut part features a unique Hypertherm design that differs from the OEM design.



System: PAK® 5XR™,6XR™,7XR™,8XR™, 10XR™, 625XR™, 750XR™, 1000XR™, 1250XR™

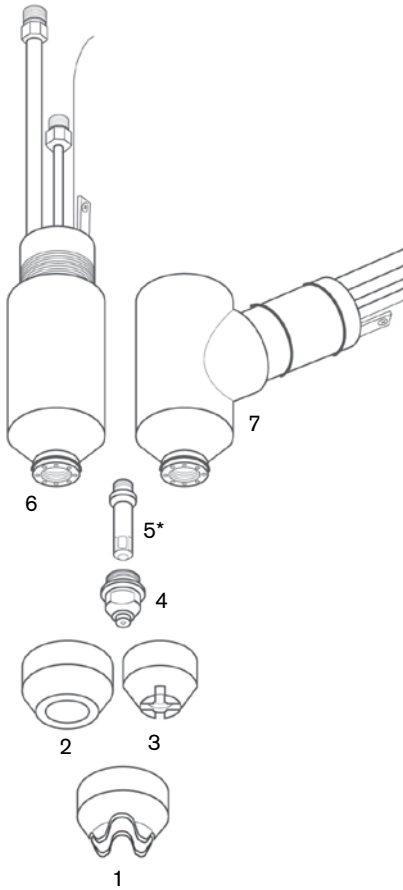
Consumables

	Centricut part number	Reference number	Description	Pkg qty	
1	T06-779	9-5779	Crown cup, copper long, use with C06-781	1	
	C07-780	9-5780	Crown cup, copper short, use with C07-781	1	
3	C07-694	9-5694	Crown cup, ceramic	5	
2	C07-717	N/A	Shield cup, short	10	
	C07-617	9-5617	Shield cup, long	5	
	C07-781	9-5781	Shield cup, shatter proof	5	
	C07-702	9-5702	Tip, .035, 35 amp	10	
4	C07-618	9-5618	Tip, .043, 55 amp	10	
	C07-707	9-5707	Tip, .047, 70 amp	10	
	T07-782	9-5782	Tip, .052, 80 amp	5	
	C07-708	9-5708	Tip, .059, 105 amp	10	
	C07-908	N/A	Tip, .059, 105 amp, chrome	10	
	T07-710	9-5710	Tip, .093	10	
	5	C07-331*	8-3331	Electrode, Air, copper	10
		C07-619	9-5619	Electrode, Air, chrome	10
		T07-711	9-5711	Electrode, N ₂	5
		C07-931	N/A	Electrode	10

Maintenance items

	Centricut part number	Reference number	Description	Pkg qty
6	C07-643	9-5643	PCM-52 torch body	1
7	C07-642	9-5642	PCH-52 torch body, 70°	1
	C06-525	8-5525	O-ring	5
	C08-010	N/A	Ball casters	5
	C07-901	N/A	Bottoming tap 1/2-20, tip	1
	C07-902	N/A	Bottoming tap 7mm x 1, electrode	1
	T07-007	8-4007	Wrench, tip	1
	T07-620	9-5620	Wrench, electrode	1
	027055	N/A	Lubricant .25 oz. (7 ml) tube	1

*Centricut part features a unique Hypertherm design that differs from the OEM design.



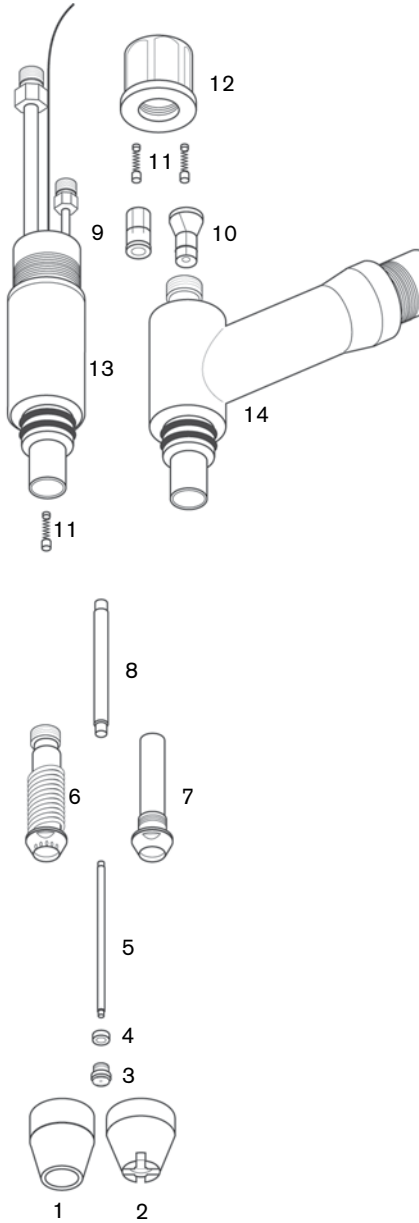
System: PAK® 22, 10, 5

Consumables

	Centricut part number	Reference number	Description	Pkg qty
1	C08-088	8-4088	Shield cup	5
2	T08-213	8-4213	Shield cup, crown	5
	T08-045	8-4045	Shield cup, threaded 4A	1
3	C08-189	8-4189	Tip, .030	10
	C08-211	8-4211	Tip, .046	10
	C08-153	8-4153	Tip, .059, 100 amp	10
	C08-170	8-4170	Tip, .070, ArH2, 100 amp	10
4	C08-421	9-2421	Gas distributor	10
5	C08-073	8-4073	Electrode	5
6	C08-154	8-4154	Liner, 4B	1
7	T08-011	8-4011	Liner, 4A	1
8	C08-182	8-4182	Sleeve	1
9	T08-156	8-4156	Collet, 4B	1
10	T08-049	8-4049	Collet, 4A	1
11	C08-050	8-4050	Spring assembly	5
12	T08-158	8-4158	Back cap	1
12	T08-158	8-4158	Back cap	1
	C08-069	8-4069	Gasket	5

Maintenance items

	Centricut part number	Reference number	Description	Pkg qty
	C08-010	N/A	Ball casters	5
13	T08-196	8-4196	PCM-4BT torch body	1
	T08-161	8-4061	PCH-4B torch body, 90°	1
14	T08-160	8-4160	PCH-4B torch body, 70°	1
	T08-901	9-1901	Insulating sleeve	1
	027055	N/A	Lubricant .25 oz. (7 ml) tube	1



System: PAK® 15XC, MERLIN®

Consumables

	Centricut part number	Reference number	Description	Pkg qty
1	T30-790	9-5790	Shield cup, copper	1
2	C30-758	9-5758	Shield cup, tip exposed	1
	C30-801	9-5801	Shield cup, copper, tip exposed	1
3	C30-748	9-5748	Tip, Air, .043, 50 amp	5
	C30-747	9-5747	Tip, Air, .055, 100 amp	5
	C30-746	9-5746	Tip, Air, .070, 150 amp	5
	C30-766	9-5766	Tip, N ₂ , .052, 100 amp	5
	C30-767	9-5767	Tip, N ₂ , .067, 150 amp	5
	T30-753	9-5753	Tip, O ₂ , .043, 50 amp	5
	T30-752	9-5752	Tip, O ₂ , .052, 100 amp	5
	C30-751	9-5751	Tip, O ₂ , .070, 150 amp	5
4	C30-749	9-5749	Electrode, Air	5
	C30-760	9-5760	Electrode, O ₂	5

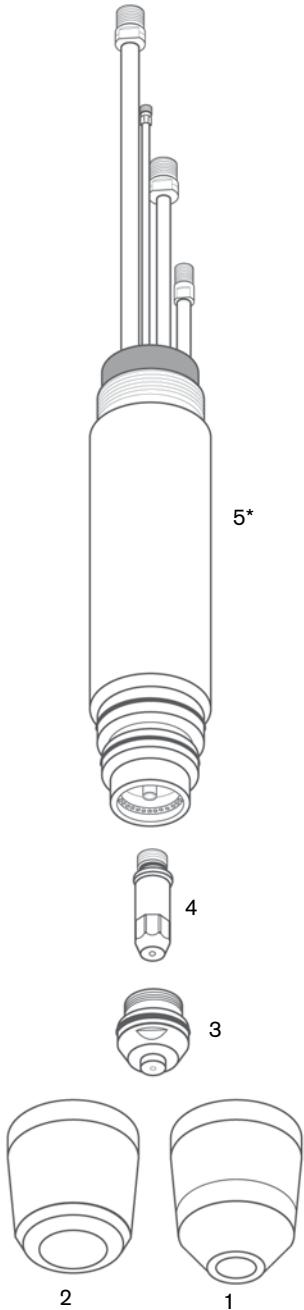
Maintenance items

	Centricut part number	Reference number	Description	Pkg qty
	C30-M33	N/A	Liner, replacement	1
	C30-M34	N/A	Gas distributor, replacement	1
	C30-WRCH	N/A	Liner wrench	1
5	C30-945*	N/A	PCM-150 modular torch body, 180°	1
	C30-057	N/A	O-ring torch kit – see below	1
	027055	N/A	Lubricant .25 oz. (7 ml) tube	1

C30-057 O-ring torch kit includes

	Centricut part number	Reference number	Description	Pkg qty
	C30-035	N/A	O-ring (for gas distributor)	1
	C30-037	N/A	O-ring (for liner)	1
	C30-040	8-0540	O-ring (shield cup, large)	1
	C30-557	8-0557	O-ring (shield cup, small)	5
	C30-041	N/A	O-ring (for liner)	1

*Centricut part features a unique Hypertherm design that differs from the OEM design.



System: MERLIN® 3000, 6000, 6000GST



Consumables

	Centricut part number	Reference number	Description	Pkg qty
1	C55-803	20-1003	Shield, 50 amp	1
	C55-804	20-1004	Shield, 100-225 amp	1
	C55-805	20-1005	Shield, 300 amp	1
	C55-006	20-1006	Shield, 100-300 amp, underwater	1
	T55-028	20-1028	Shield, 100-300 amp, underwater	1
2	C55-002	20-1002	Shield, cup body	1
	T55-029	20-1029	Shield, cup body, underwater	1
	T55-412	9-6412	Shield cup, Air, long	1
	T55-411	9-6411	Shield cup, O ₂ , long	1
3	C55-030	20-1030	Tip, 50 amp	1
	C55-031	20-1031	Tip, 100 amp	1
	C55-032	20-1032	Tip, 150 amp	1
	C55-033	20-1033	Tip, 225 amp	1
	C55-034	20-1034	Tip, 300 amp	1
	C55-424	9-6424	Tip, Air, 0.52, 70 amp	5
	C55-425	9-6425	Tip, Air, 0.59, 105 amp	5
	C55-432	9-6432	Tip, Air, 0.70, 150 amp	5
	T55-419	9-6419	Tip, O ₂ , 0.52, 70 amp	5
	T55-420	9-6420	Tip, O ₂ , 0.59, 105 amp	5
	T55-433	9-6433	Tip, O ₂ , 0.70, 150 amp	5
	T55-428	9-6428	Tip, ArH ₂ , 0.52, 70 amp	5
	T55-429	9-6429	Tip, ArH ₂ , 0.59, 105 amp	5
	T55-434	9-6434	Tip, ArH ₂ , 0.73, 150 amp	5
4	C55-008	20-0008	Gas distributor, 50-225 amp	1
	T55-009	20-1009	Gas distributor, 300 amp	1
	T55-416	9-6416	Gas distributor	1
5	C55-710	20-1016, 20-1010, 20-1021	CopperLine® electrode, Air/O ₂ , 50-300 amp	1 1 1
	C55-718	20-1015, 20-1018	CopperLine electrode, Air/O ₂ , 50-300 amp	1 1
	T55-017	20-1017	Electrode, O ₂ , 225 amp	5
	T55-023	20-1023	Electrode, N ₂ , 50-300 amp	5
	T55-025	20-1025	Electrode, ArH ₂ , 100-300 amp	5
	T55-1211	20-1211	Electrode, N ₂ , ArH ₂	5

Maintenance items

	Centricut part number	Reference number	Description	Pkg qty
6	T55-410	9-6410	Maximizer 300 torch body	1
	C55-004	N/A	O-ring	5
	C55-050	N/A	O-ring	5
	027055	N/A	Lubricant .25 oz. (7 ml) tube	1

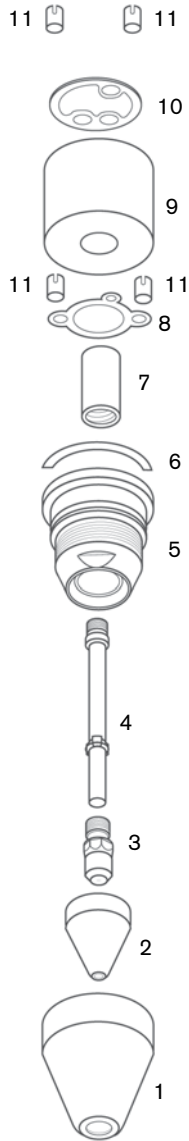
System: OW250®

Consumables

	Centricut part number	Reference number	Description	Pkg qty
1	C14-332	648-332	Nose piece	1
2	C14-330	648-330	Nozzle, Air, 063, 150 amp	5
	C14-331-S	648-331	Nozzle, Air, .098	5
3	C14-731	N/A	Nozzle, Air, .110	5
	C14-328	648-328	Electrode, low amp, Air, 150 amp	5
	C14-327	648-327	Electrode, Air, with o-ring C14-010, 250 amp	5
	C14-927	648-327	Electrode, Air, without o-ring, 250 amp	5

Maintenance items

	Centricut part number	Reference number	Description	Pkg qty
4	C14-326	648-326	Cooling tube	1
5	C14-280	648-280	Nozzle holder	1
6	C14-282	648-282	Gasket spacers	2
7	C14-281	648-281	Gas guide ring	1
8	C14-286	648-286	Lower gasket	5
9	C14-287	648-287	Insulating spacer	1
10	C14-288	648-288	Middle gasket	5
11	C14-285	648-285	Hole guides	5
	C14-010	N/A	O-ring	5
	C14-283	648-283	O-ring	5
	C14-284	648-284	O-ring	5
	C14-793	649-793	O-ring seal	4
	027055	N/A	Lubricant .25 oz. (7 ml) tube	1



System: IC300®

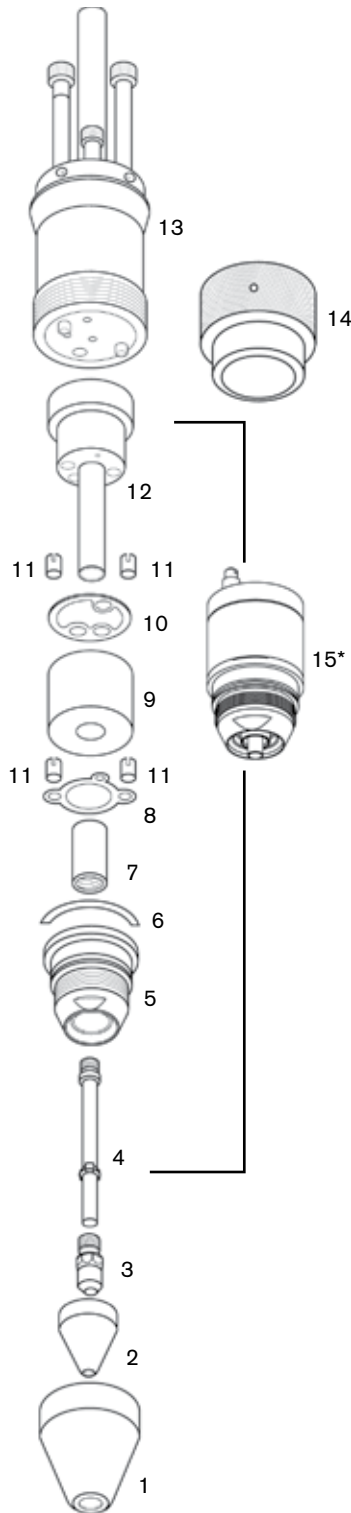
Consumables

	Centricut part number	Reference number	Description	Pkg qty
1	C14-332	648-332	Nose piece	1
2	C14-330	648-330	Nozzle, Air, .063, 150 amp	5
	C14-331-S	648-331	Nozzle, Air, .098	5
	C14-731	N/A	Nozzle, Air, .110	5
3	C14-328	648-328	Electrode, low amp, Air, 150 amp	5
	C14-327	648-327	Electrode, Air, with o-ring C14-010, 250 amp	5
	C14-927	648-327	Electrode, Air, without o-ring, 250 amp	5

Maintenance items

	Centricut part number	Reference number	Description	Pkg qty
4	C14-794	649-794	Cooling tube	1
5	C14-280	648-280	Nozzle holder	1
6	C14-282	648-282	Gasket spacers	2
7	C14-281	648-281	Gas guide ring	1
8	C14-286	648-286	Lower gasket	5
9	C14-959	649-959	Insulating spacer	1
10	C14-288	648-288	Middle gasket	5
11	C14-285	648-285	Hole guides	5
12	C14-960	649-960	Manifold	1
	C14-793	649-793	O-ring seal	4
13	C14-964	649-964	Upper body	1
	C14-962	649-962	High frequency socket	1
	C14-963	649-963	High frequency pin	1
14	C14-961	649-961	Head cover assembly	1
	C14-866	649-966	Torch tube cover	1
	C14-765	649-765	IC300 one touch torch	1
15	C14-118*	N/A	Lower body assembly (includes items 4-12)	1
	C14-010	N/A	O-ring	5
	C14-283	648-283	O-ring	5
	C14-284	648-284	O-ring	5
	027055	N/A	Lubricant .25 oz. (7 ml) tube	1

*Centricut part features a unique Hypertherm design that differs from the OEM design.





For more information on Centricut products,
visit www.hypertherm.com/centricut



Centricut offers a wide variety of CO₂ laser consumables

- OEM quality
- Competitive price
- World-class customer support





For more information on Centricut products, visit www.hypertherm.com/centricut

Hypertherm, Centricut, SilverLine and CoolFlow are trademarks of Hypertherm Inc., and may be registered in the United States and/or other countries. All other trademarks are the property of their respective owners.

One of Hypertherm's long-standing core values is a focus on minimizing our impact on the environment. Doing so is critical to our, and our customers' success. We are always striving to become better environmental stewards; it is a process we care deeply about.

© 8/2013 Hypertherm Inc. Revision 3
880470



Hypertherm®
Cut with confidence®

